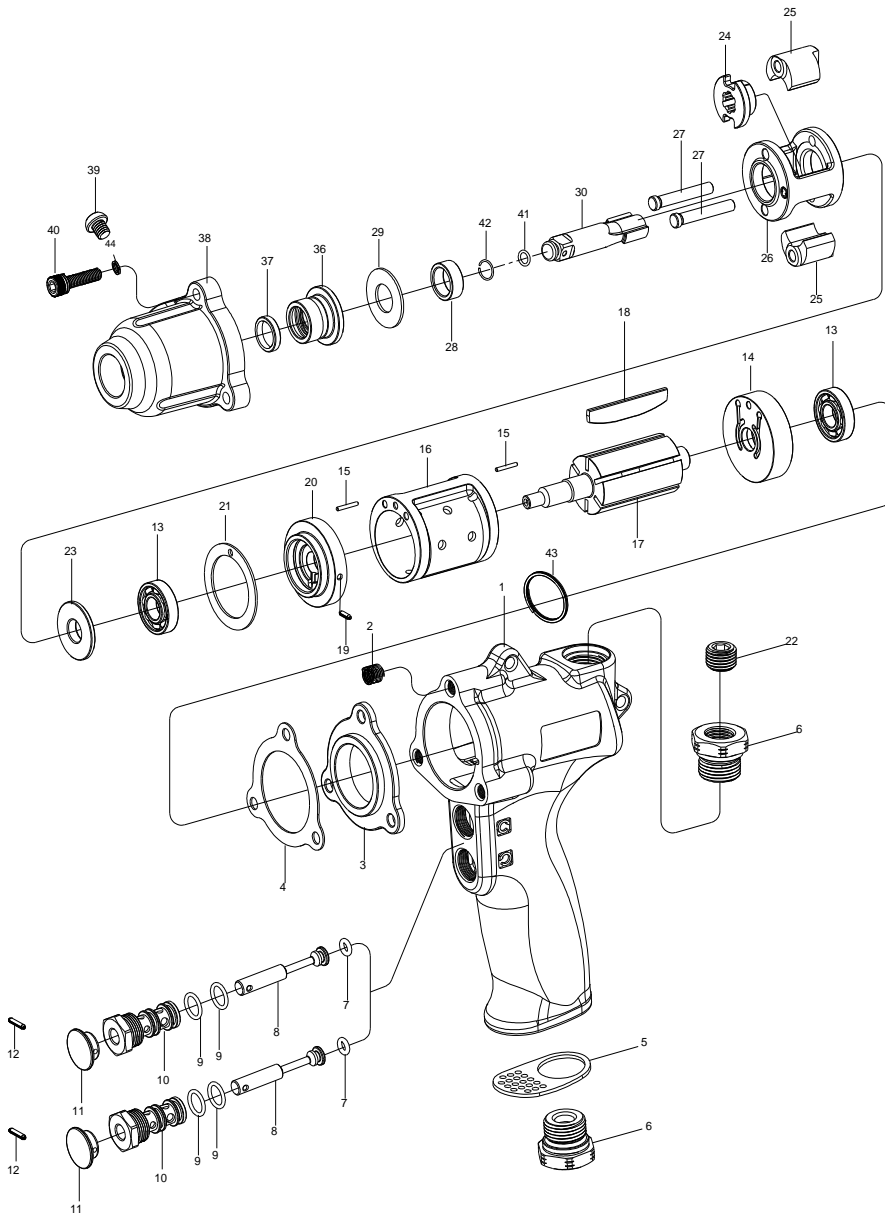


# 3/8" SQ. DR. SUPER DUTY IMPACT WRENCH



## 1326-P

INDEX NO.	DESCRIPTION	REQ'D NO.	INDEX NO.	DESCRIPTION	REQ'D NO.
1	Motor Housing	1	21	Gasket	1
2	Heli-Coil	3	22	Set Screw	1
3	Hammer Case Pivot	1	23	Spacer	1
4	Gasket	1	24	Hammer cam	1
5	Exhaust Deflector	1	25	Hammer	2
6	Air Inlet	2	26	Hammer Frame	1
7	O-Ring	2	27	Hammer Pin	2
8	Throttle Valve Plunger	2	28	Axle Bushing	1
9	O-Ring	4	29	Washer	1
10	Valve Bushing	2	30	Standard Anvil	1
11	Trigger	2	36	Bushing	1
12	Spring pin	2	37	Felt Ring	1
13	Ball Bearing	2	38	Hammer Case	1
14	Rear End Plate	1	39	Screw	1
15	Spring pin	2	40	Screw	3
16	Cylinder	1	41	O-Ring	1
17	Rotor	1	42	Socket Retainer	1
18	Rotor Blade	6	43	Hanger	1
19	Spring pin	1	44	Washer	3
20	Front End Plate	1	TK	Tune-Up Kit { 7 ( 2 ).9 ( 4 ).13 ( 2 ).18 ( 6 ).21.41.42. }	

★ Must be Purchased in Assembly Set

● Recommended not to be purchased alone due to assent

PA1-01326-P- 20110704R