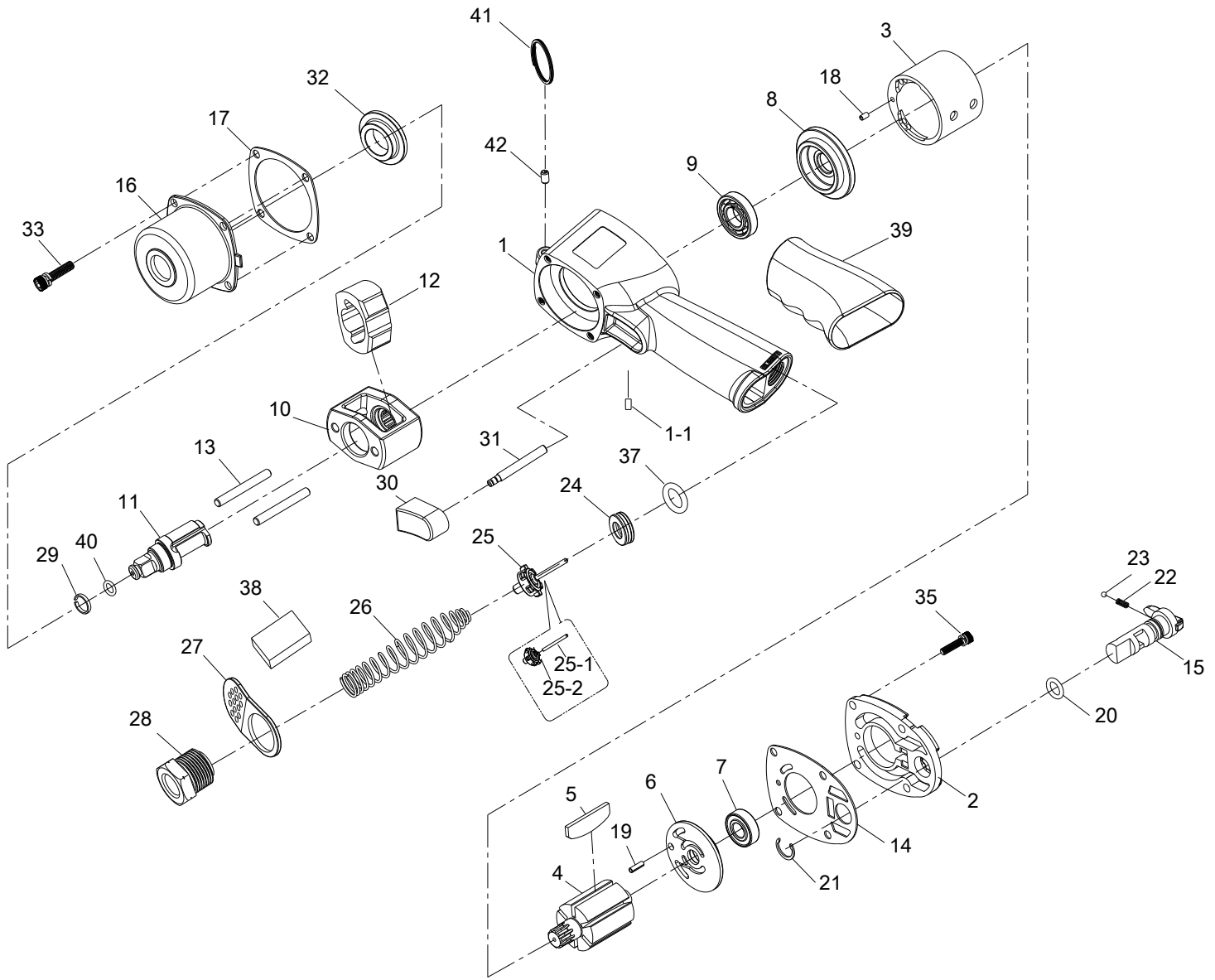


3/8" SQ. DR. SUPER DUTY IMPACT WRENCH



1369

INDEX NO.	DESCRIPTION	REQ'D NO.	INDEX NO.	DESCRIPTION	REQ'D NO.
★ 1	Housing Assembly(incl. 1-1)	1	22	Spring	1
● 1-1	Screw	1	23	Steel Ball	1
2	Backhead	1	24	Throttle Valve Seat	1
3	Cylinder	1	★ 25	Throttle Valve Assembly (incl. 25-1.25-2)	1
4	Rotor	1	● 25-1	Throttle Valve Pin	1
5	Rotor Blade	6	● 25-2	Throttle Valve	1
6	Rear End Plate	1	26	Spring	1
7	Ball Bearing	1	27	Exhaust Deflector	1
8	Front End Plate	1	28	Air Inlet	1
9	Ball Bearing	1	29	Socket Retainer	1
10	Hammer Frame	1	30	Trigger	1
11	Standard Anvil	1	31	Trigger Pin	1
12	Hammer	1	32	Bushing	1
13	Hammer Pin	2	33	Screw Assembly	4
14	Gasket	1	35	Screw Assembly	4
15	Reverse Valve	1	37	O-Ring	1
16	Hammer Case	1	38	Muffler Element	1
17	Gasket	1	39	Rubber Grip	1
18	Spring Pin	1	40	O-Ring	1
19	Spring Pin	1	41	Hanger	1
20	O-Ring	1	42	Spring Pin	1
21	Retainer	1	TK	Tune-Up Kit { incl. 5 (6) .14.17.20.21.22.23.26.29.37.38.40 }	

★ Must be Purchased in Assembly Set

● Recommended not to be purchased alone due to assembly difficulty

20130509R2