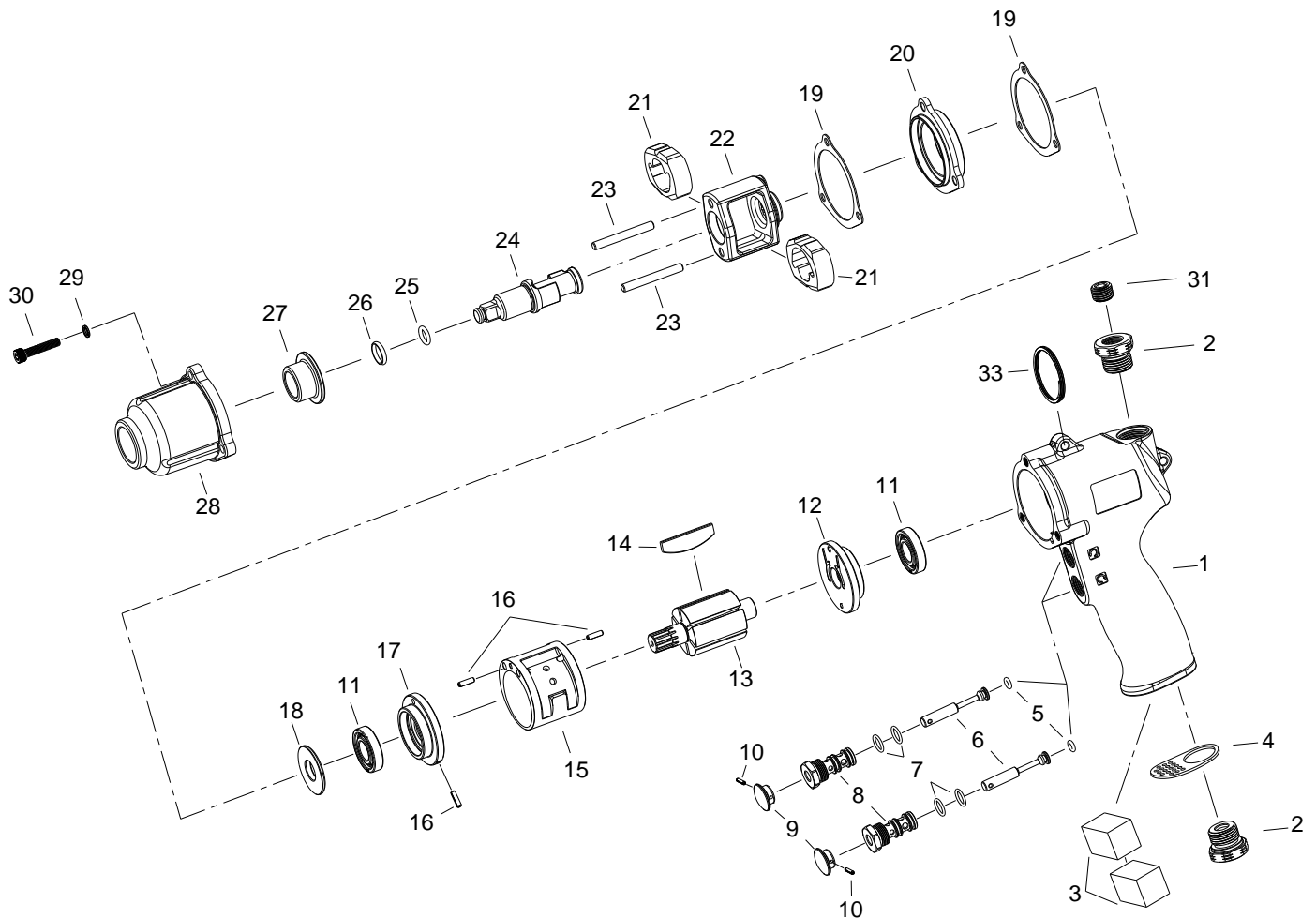


1/2" SQ. DR. SUPER DUTY IMPACT WRENCH



1425P-T

INDEX NO.	DESCRIPTION	REQ'D NO.	INDEX NO.	DESCRIPTION	REQ'D NO.
1	Motor Housing	1	18	Spacer	1
2	Air Inlet	2	19	Gasket	2
3	Exhaust Element	2	20	Separator	1
4	Exhaust Deflector	1	21	Hammer	2
5	O-Ring	2	22	Hammer Frame	1
6	Valve Stem	2	23	Hammer Pin	2
7	O-Ring	4	24	Standard Anvil	1
8	Regulating Valve	2	25	O-Ring	1
9	Lever Knob	2	26	Socket Retainer	1
10	Spring pin	2	● 27	Bushing	1
11	Ball Bearing	2	★ 28	Hammer Case Assembly (incl.27)	1
12	Rear End Plate	1	29	Washer	3
13	Rotor	1	30	Screw	3
14	Rotor Blade	6	31	Screw	1
15	Cylinder	1	33	Hanger	1
16	Spring pin	3			
17	Front End Plate	1	TK	Tune-Up Kit { incl. 5 (2) .7 (4) .14 (6) .19 (2) .25.26 }	

★ Must be Purchased in Assembly Set

● Recommended not to be purchased alone due to assembly difficulty

20130627R1