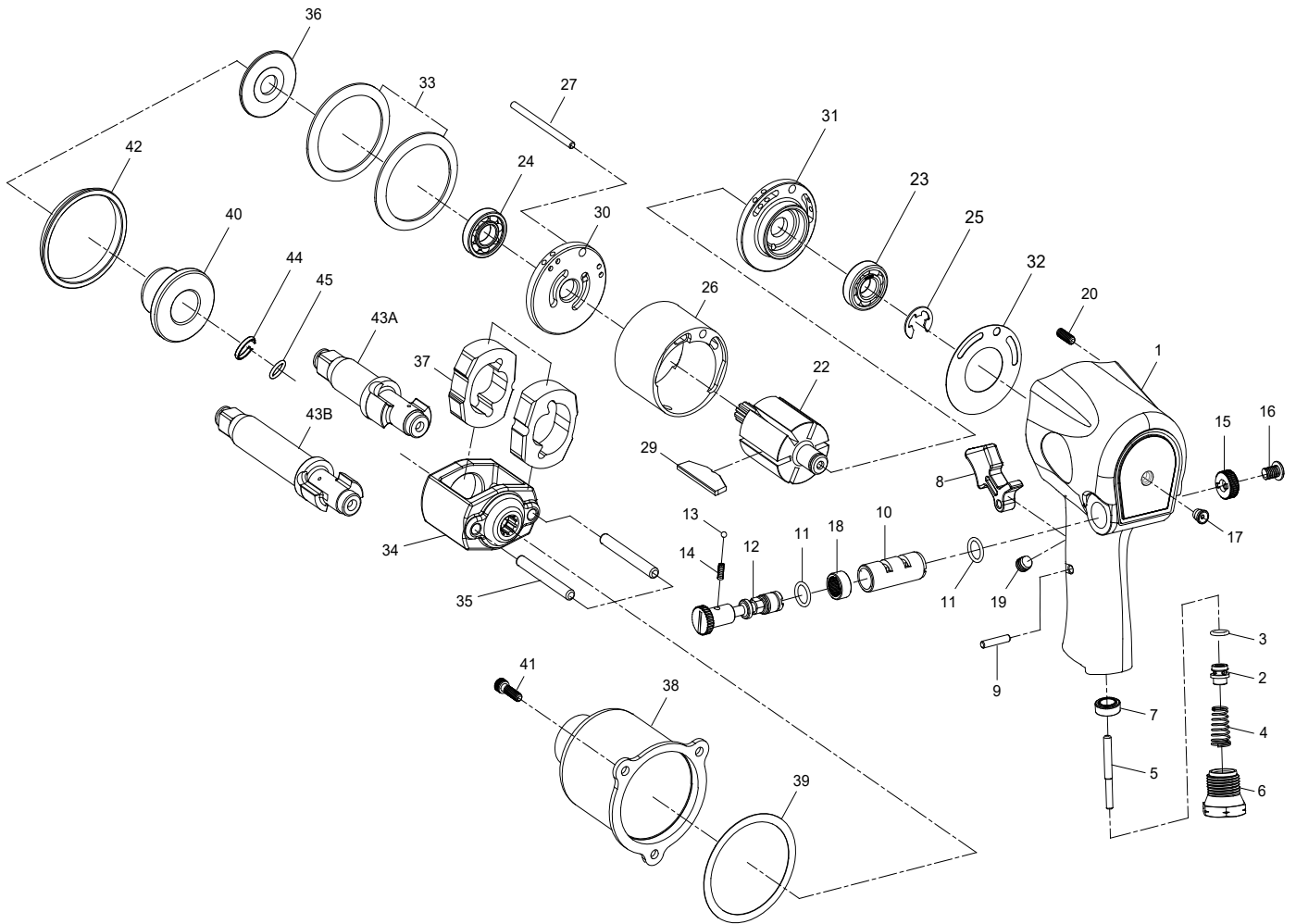


1/2" SQ. DR. HEAVY DUTY IMPACT WRENCH



1440/1440-2

INDEX NO.	DESCRIPTION	REQ'D NO.	INDEX NO.	DESCRIPTION	REQ'D NO.
★ 1	Housing Assembly { inc .7.10.17.18.19.20 (3) }	1	25	Retainer	1
2	Throttle Valve	1	26	Cylinder	1
3	O-Ring	1	27	Cylinder Dowel	1
4	Spring	1	29	Rotor Blade	6
5	Throttle Valve Piunger	1	30	Front End Plate	1
6	Air Inlet	1	31	Rear End Plate	1
● 7	Throttle Valve Seat	1	32	Gasket	1
8	Trigger	1	33	Motor Clamp Washer	2
9	Trigger Pin	1	34	Hammer Frame	1
● 10	Reverse Valve Bushing	1	35	Hammer Pin	2
11	O-Ring	2	36	Washer	1
12	Reverse Valve	1	37	Hammer	2
13	Steel Ball	1	38	Hammer Case	1
14	Spring	1	39	Gasket	1
15	Reverse Valve Knob	1	40	Bushing	1
16	Screw	1	41	Screw	3
● 17	Grease Fitting	1	42	Separator	1
● 18	Reverse Valve Bushing Gear	1	43A	Standard Anvil (for KI-1440)	1
● 19	Set Screw	1	43B	2" Extended Anvil (for KI-1440-2)	1
● 20	Heli-Coil	3	44	Socket Retainer	1
22	Rotor	1	45	O-Ring	1
23	Ball Bearing	1	TK	Tune-Up Kit { incl.3.4.11(2).13.14.23.24.25.29 (6).32.39.44.45 }	
24	Ball Bearing	1			

★ Must be Purchased in Assembly Set

● Recommended not to be purchased alone due to assembly difficulty