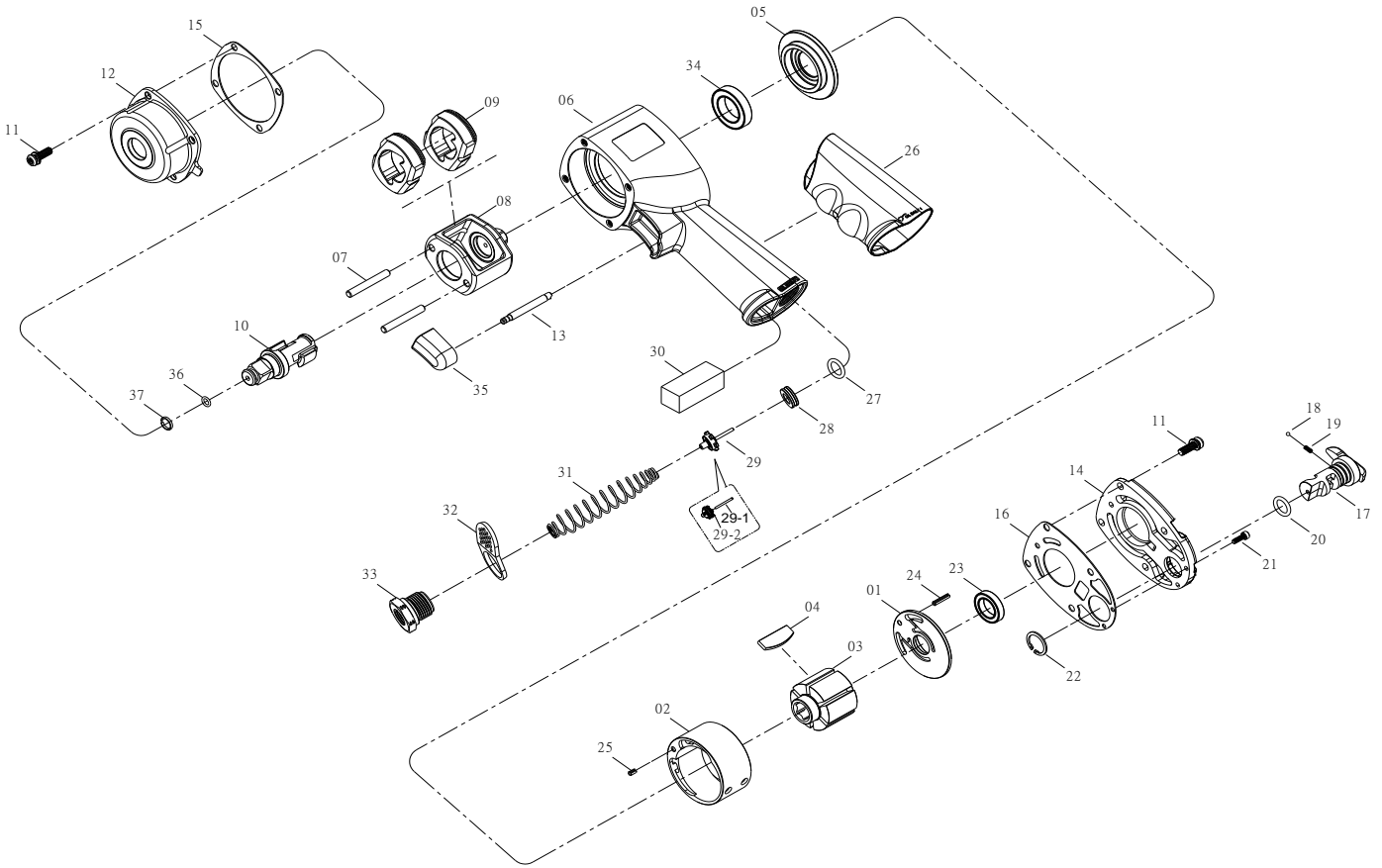


1/2" SQ. DR. SUPER DUTY IMPACT WRENCH



1479T

INDEX NO.	DESCRIPTION	REQ'D NO.	INDEX NO.	DESCRIPTION	REQ'D NO.
1	Rear End Plate	1	21	Screw	2
2	Cylinder	1	22	Socket Retainer	1
3	Rotor	1	23	Ball Bearing	1
4	Rotor Blade	6	24	Spring Pin	1
5	Front End Plate	1	25	Spring Pin	1
6	Motor Housing Assembly	1	26	Rubber Grip	1
7	Hammer Pin	2	27	O-Ring	1
8	Hammer Frame	1	28	Throttle Valve Seat	1
9	Hammer	2	★ 29	Throttle Valve Assembly	1
10	Standard Anvil	1	● 29-1	Throttle Valve Pin	1
11	Screw	8	● 29-2	Throttle Valve	1
12	Hammer Case	1	30	Muffler Element	1
13	Trigger Pin	1	31	Spring	1
14	Backhead	1	32	Exhaust Deflector	1
15	Hammer Case Gasket	1	33	Air Inlet	1
16	Backhead Gasket	1	34	Ball Bearing	1
17	Reverse Valve	1	35	Trigger	1
18	Steel Ball	1	36	O-Ring	1
19	Spring	1	37	Socket Retainer	1
20	O-Ring	1	TK	Tune-Up Kit { incl.4 (6).15.16.18.19.20.27.30.31.36.37 }	

★ Must be Purchased in Assembly Set

● Recommended not to be purchased alone due to assembly difficulty

20141210R1