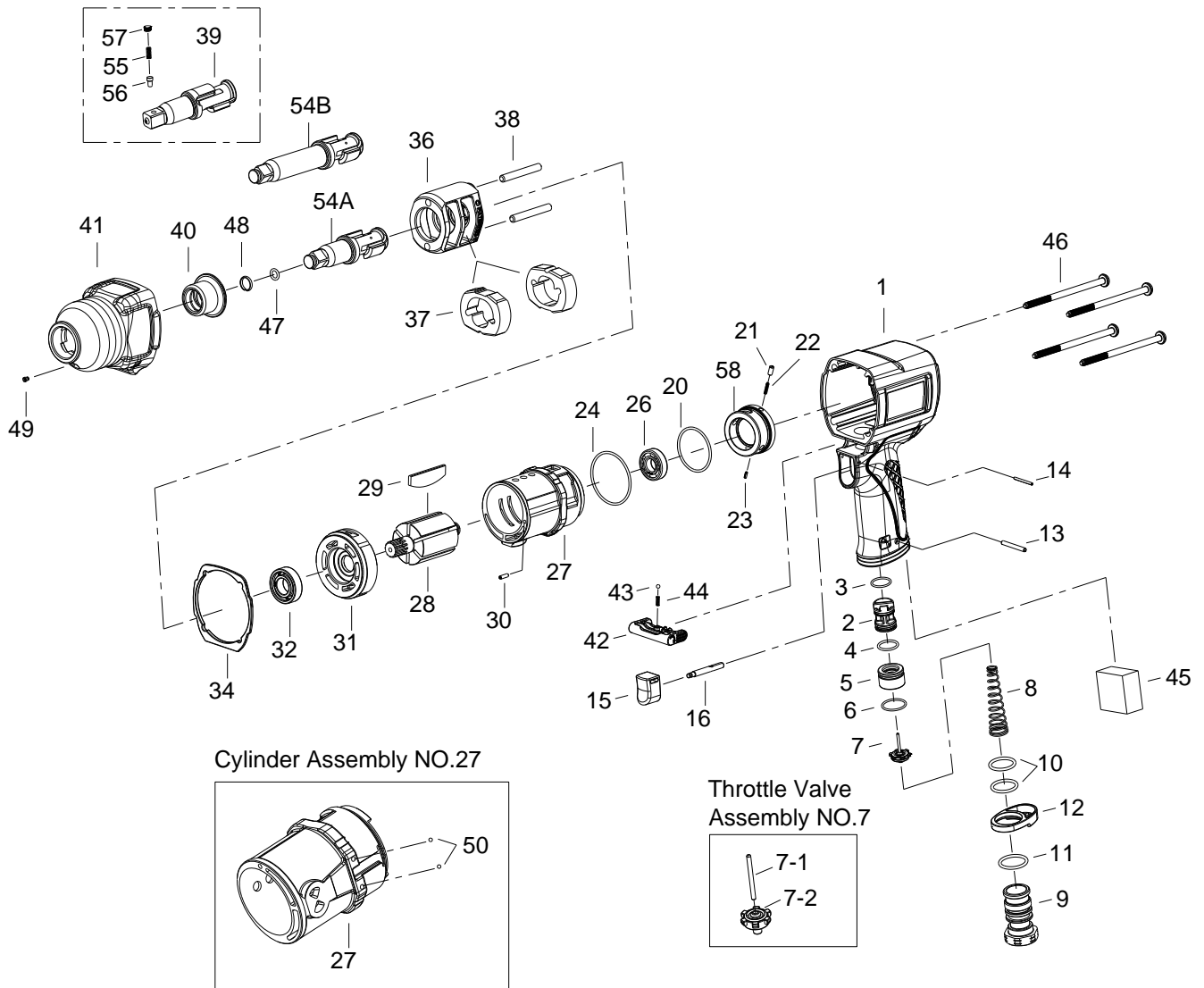


1/2" SQ. DR. SUPER DUTY IMPACT WRENCH

1480-SU



1480_1480-2_1480-SU

INDEX NO.	DESCRIPTION	REQ'D NO.	INDEX NO.	DESCRIPTION	REQ'D NO.
1	Motor Housing	1	30	Spring Pin	1
2	Reverse Valve	1	31	Front End Plate	1
3	O-Ring	1	32	Ball Bearing	1
4	O-Ring	1	34	Gasket	1
5	Throttle Valve Seat	1	36	Hammer Frame	1
6	O-Ring	1	37	Hammer	2
★ 7	Throttle Valve Assembly (incl. 7-1,7-2)	1	38	Hammer Pin	2
● 7-1	Throttle Valve Pin	1	● 40	Bushing	1
● 7-2	Throttle Valve	1	★ 41	Hammer Case Assembly (incl.40,49)	1
8	Spring	1	42	Reverse Knob	1
9	Air Inlet	1	43	Steel Ball	1
10	O-Ring	2	44	Steel Ball Spring	1
11	O-Ring	1	45	Muffler Element	1
12	Exhaust Deflector	1	46	Screw	4
13	Spring Pin	1	47	O-Ring	1
14	Spring Pin	1	48	Socket Retainer	1
★ 15	Trigger Assembly (incl.16)	1	● 49	Grease Fitting	1
● 16	Trigger Pin	1	● 50	Steel Ball	2
20	O-Ring	1	54A	Standard Anvil (for 1480)	1
21	Pin	1	54B	Extended Anvil (for 1480-2)	1
22	Spring	1	58	Reverse Valve Knob	1
23	Spring Pin	1	for 1480-SU		
24	O-Ring	1	39	Standard Anvil	1
26	Ball Bearing	1	55	Spring	1
★ 27	Cylinder Assembly { incl.50 (2) }	1	56	Pin	1
28	Rotor	1	57	Plug	1
29	Rotor Blade	6	TK	Tune-Up Kit { incl.3,4,6,8,10 (2),11,20,22,24,29 (6),34,43,44,45,47,48 }	

★ Must be Purchased in Assembly Set

● Recommended not to be purchased alone due to assembly difficulty

20150122R2