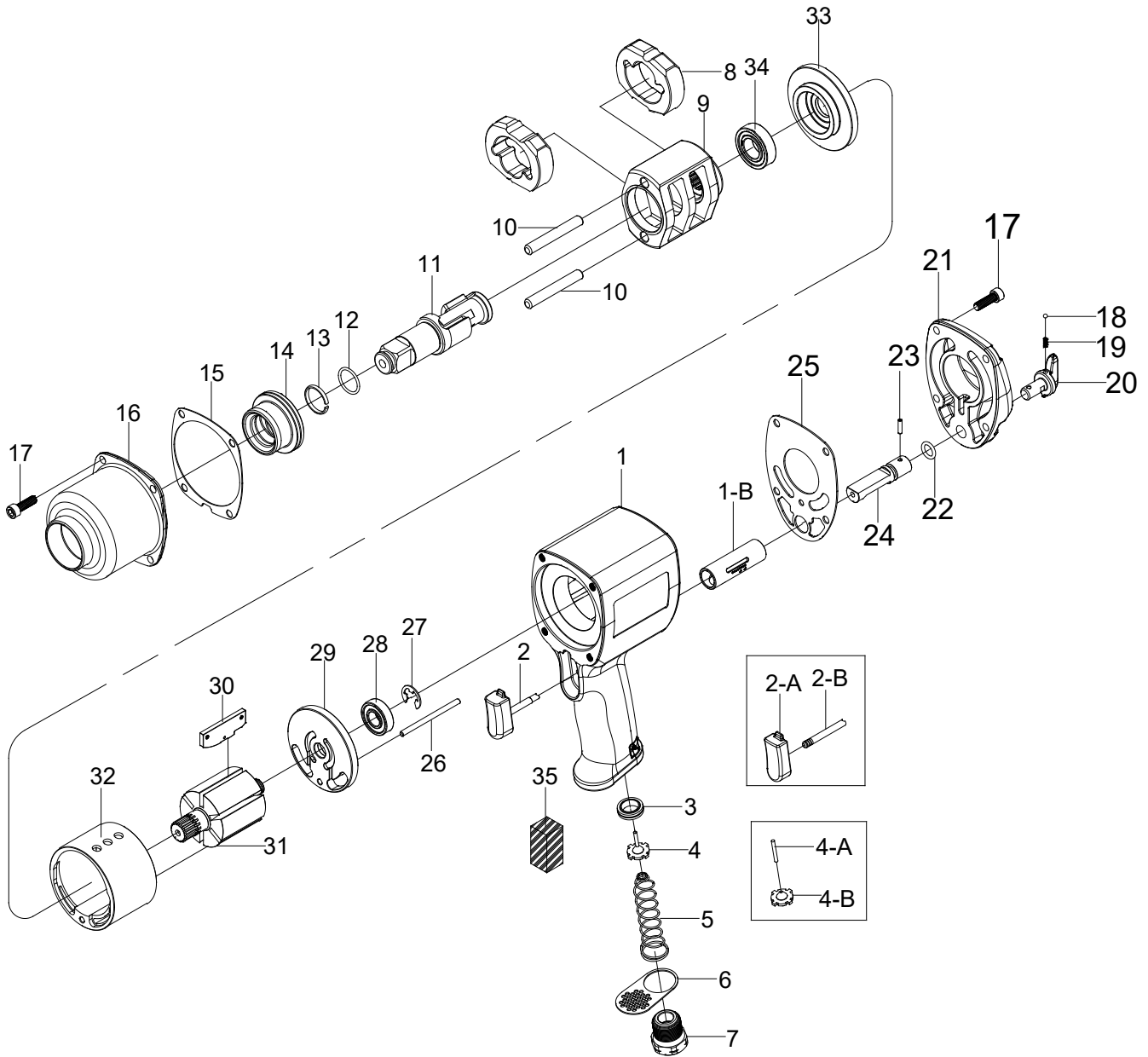


3/4" SQ. DR.SUPER DUTY IMPACT WRENCH



1631-VG

INDEX NO.	DESCRIPTION	REQ'D NO.	INDEX NO.	DESCRIPTION	REQ'D NO.
★ 1	Motor Housing Assembly (incl.1B)	1	17	Screw	8
● 1-B	Valve Bushing	1	18	Steel Ball	1
★ 2	Trigger Assembly (incl.2A.2B)	1	19	Spring	1
● 2-A	Trigger	1	20	Reverse Knob	1
● 2-B	Trigger Pin	1	21	Backhead	1
3	Throttle Valve Seat	1	22	O-Ring	1
★ 4	Throttle Valve Assembly (incl.4-A.4-B)	1	23	Spring Pin	1
● 4-A	Throttle Valve Pin	1	24	Reverse Valve	1
● 4-B	Throttle Valve	1	25	Gasket	1
5	Spring	1	26	Pin	1
6	Exhaust Deflector	1	27	Retainer	1
7	Air Inlet	1	28	Ball Bearing	1
8	Hammer	2	29	Rear End Plate	1
9	Hammer Frame	1	30	Rotor Blade	6
10	Hammer Pin	2	31	Rotor	1
11	Standard Anvil	1	32	Cylinder	1
12	O-Ring	1	33	Rear End Plate	1
13	Socket Retainer	1	34	Ball Bearing	1
● 14	Bushing	1	35	Muffler Element	1
15	Gasket	1			
★ 16	Hammer Case Assembly (incl.14)	1	TK	Tune-Up Kit { incl. 5.12.13.15.18.19.22.25.30 (6).35 }	

★ Must be Purchased in Assembly Set

● Recommended not to be purchased alone due to assembly difficulty

20191118R1