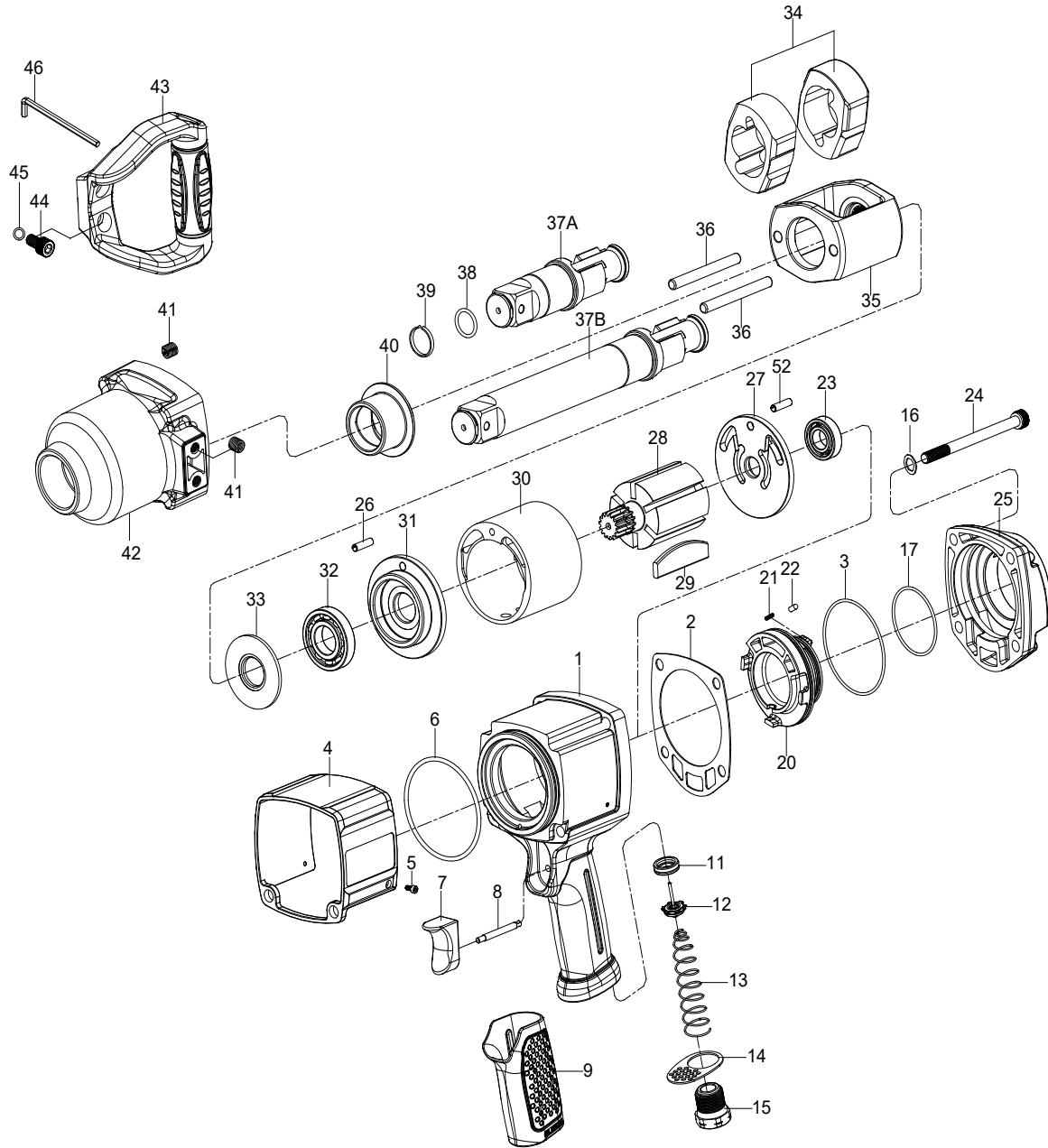


1" SQ. DR.SUPER DUTY IMPACT WRENCH



1838A-B-P / 1838A-B-P-6

INDEX NO.	DESCRIPTION	REQ'D NO.	INDEX NO.	DESCRIPTION	REQ'D NO.
★ 1	Housing Assembly (incl. 9.11)	1	★ 27	End Plate Assembly (incl. 23)	1
2	Gasket	1	28	Rotor	1
3	O-Ring	1	29	Rotor Blade	6
4	Rubber Grip	1	30	Cylinder	1
5	Screw	2	31	End Plate	1
6	O-Ring	1	32	Bearing	1
★ 7	Trigger Assembly (incl.8)	1	33	Washer	1
● 8	Trigger Pin	1	34	Hammer	2
● 9	Rubber Grip	1	35	Hammer Frame	1
11	Throttle Valve Seat	1	36	Hammer Pin	2
12	Throttle Valve Assembly	1	37A	Standard Anvil (for KI-1838A-B-P)	1
13	Spring	1	37B	6" Extended Anvil (for KI-1838A-B-P-6)	1
14	Exhaust Deflector	1	38	O-Ring	1
15	Air Inlet	1	39	Socket Retainer	1
16	Washer	4	● 40	Bushing	1
17	O-Ring	1	● 41	Heli-Coil	6
20	Reverse Valve	1	★ 42	Hammer Case Assembly (incl. 40.41)	1
21	Spring	1	43	Side Spade Handle	1
22	Pin	1	44	Screw	2
● 23	Bearing	1	45	Washer	2
24	Screw	4	46	Hex Key Wrench	1
25	Backhead	1	52	Spring Pin	1
26	Spring Pin	1	TK	Tune-Up Kit { incl. 2.3.6.13.17.21.29 (6),38.39 }	

★ Must be Purchased in Assembly Set

● Recommended not to be purchased alone due to assembly difficulty

20160309R1