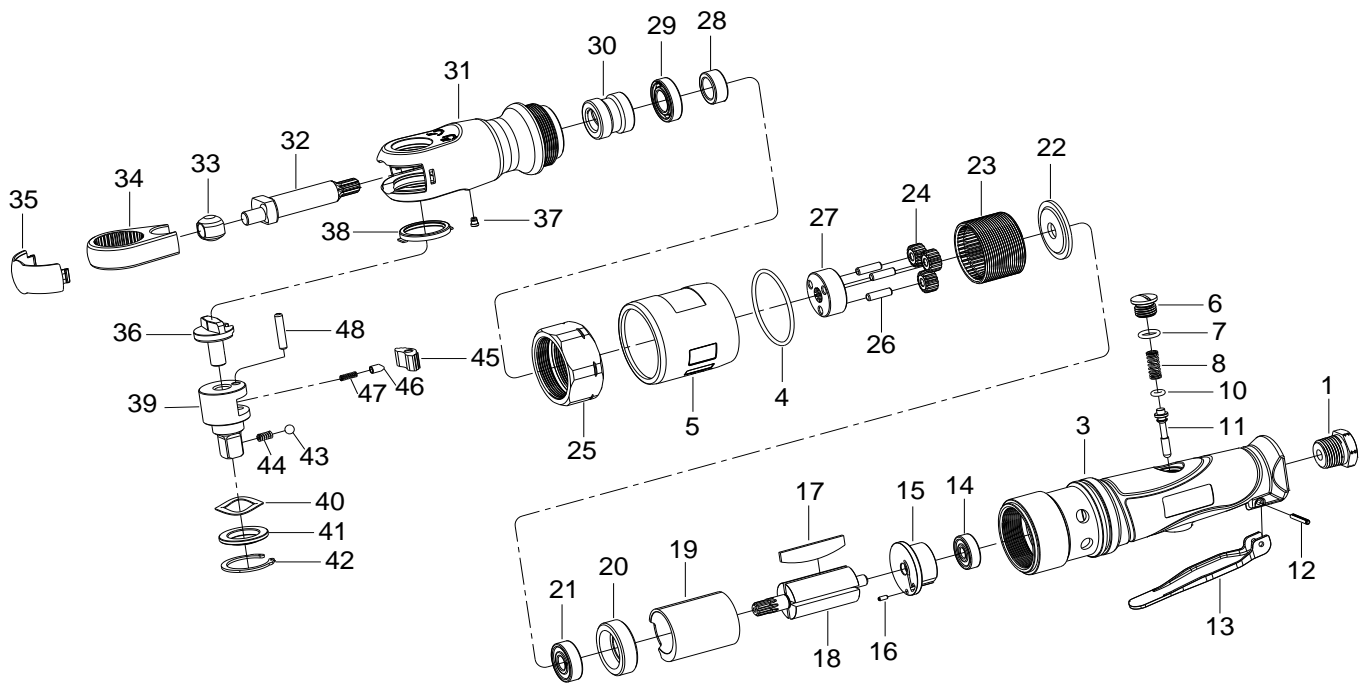


3/8" SQ.DR. SUPER DUTY RATCHET WRENCH



2322

INDEX NO.	DESCRIPTION	REQ'D NO.	INDEX NO.	DESCRIPTION	REQ'D NO.
1	Air Inlet	1	27	Work Spindle	1
3	Motor Housing	1	28	Spacer	1
4	O-Ring	1	29	Bearing	1
5	Exhaust Deflector	1	30	Bushing	1
6	Air Regulator	1	★ 31	Ratchet Housing Assembly (incl. 37)	1
7	O-Ring	1	32	Crank shaft	1
8	Spring	1	33	Drive Bushing	1
10	O-Ring	1	34	Ratchet Yoke	1
11	Throttle Valve Plunger	1	35	Ratchet Housing Cover	1
12	Pin	1	● 36	Reverse Knob Assembly	1
13	Trigger	1	● 37	Grease Fitting	1
14	Bearing	1	38	Thrust Washer	1
15	End Plate	1	★ 39	Ratchet Anvil Assembly (incl. 36.43.44.45.46.47.48)	1
16	Pin	1	40	Wave Washer	1
17	Rotor Blade	4	41	Thrust Washer	1
18	Rotor	1	42	Retaining Ring	1
19	Cylinder	1	● 43	Steel Ball	1
20	End Plate	1	● 44	Steel Ball Spring	1
21	Bearing	1	● 45	Ratchet Pawl	1
22	Washer	1	● 46	Ratchet Lock Pin	1
23	Ring Gear	1	● 47	Ratchet Spring	1
24	Planet Gear	3	● 48	Pin	1
25	Coupling Nut	1			
26	Pin	3	TK	Tune-Up Kit { incl. 4.7.8.10.17 (4) }	

★ Must be Purchased in Assembly Set

● Recommended not to be purchased alone due to assembly difficulty

20141126R1