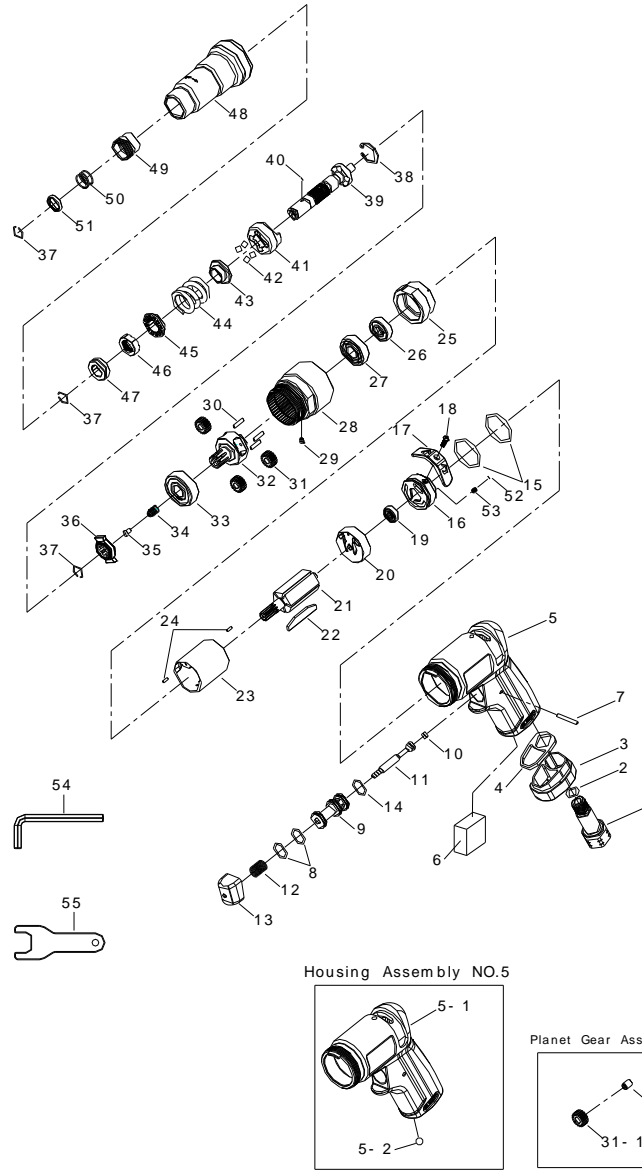


# 1/4" HEX. SUPER DUTY SCREWDRIVER



3275

INDEX NO.	DESCRIPTION	REQ'D NO.	INDEX NO.	DESCRIPTION	REQ'D NO.
1	Air Inlet	1	29	Grease Fitting	1
2	O-Ring	1	30	Pin	3
3	Exhaust Deflector	1	★ 31	Planet Gear Assembly ( incl.31-1.31-2)	3
4	Washer	1	● 31-1	Planet Gear	3
★ 5	Housing Assembly ( incl.5-1.5-2 )	1	● 31-2	Bushing	3
● 5-1	Motor Housing	1	32	Work Spinder	1
● 5-2	Steel Ball	1	33	Ball Bearing	1
6	Muffler Element	1	34	Spring	1
7	Pin	1	35	Spindle Guide	1
8	O-Ring	2	36	Drive Dog	1
9	Throttle Valve Seat	1	37	Socket Retainer	3
10	O-Ring	1	38	Retainer	1
11	Throttle Valve Plunger	1	39	Cam Spindle	1
12	Spring	1	40	Steel Ball	1
13	Trigger	1	41	Hammer Frame	1
14	O-Ring	1	42	Steel Ball	4
15	O-Ring	2	43	Ball Seat	1
16	Reverse Valve	1	44	Spring	1
17	Reverse Valve Knob	1	45	Washer	1
18	Screw	1	46	Lock Nut	1
19	Ball Bearing	1	47	Bushing	1
20	Rear End Plate	1	48	Hammer Case	1
21	Rotor	1	49	Release Sleeve	1
22	Rotor Blade	6	50	Spring	1
23	Cylinder	1	51	Washer	1
24	Spring Pin	2	52	Steel Ball	1
25	Front End Plate	1	53	Spring	1
26	Ball Bearing	1	54	L Shape HEX. Wrench	1
27	Ball Bearing	1	55	Wrench	1
28	Gear Housing	1	TK	Tune-Up Kit { 2.6 .8 ( 2 ).10.14.15 ( 2 ).19.22 ( 6 ).26.27.33.52.53 }	

★ Must be Purchased in Assembly Set

PA3-03275-2

20100411R1

● Recommended not to be purchased alone due to assembly difficulty