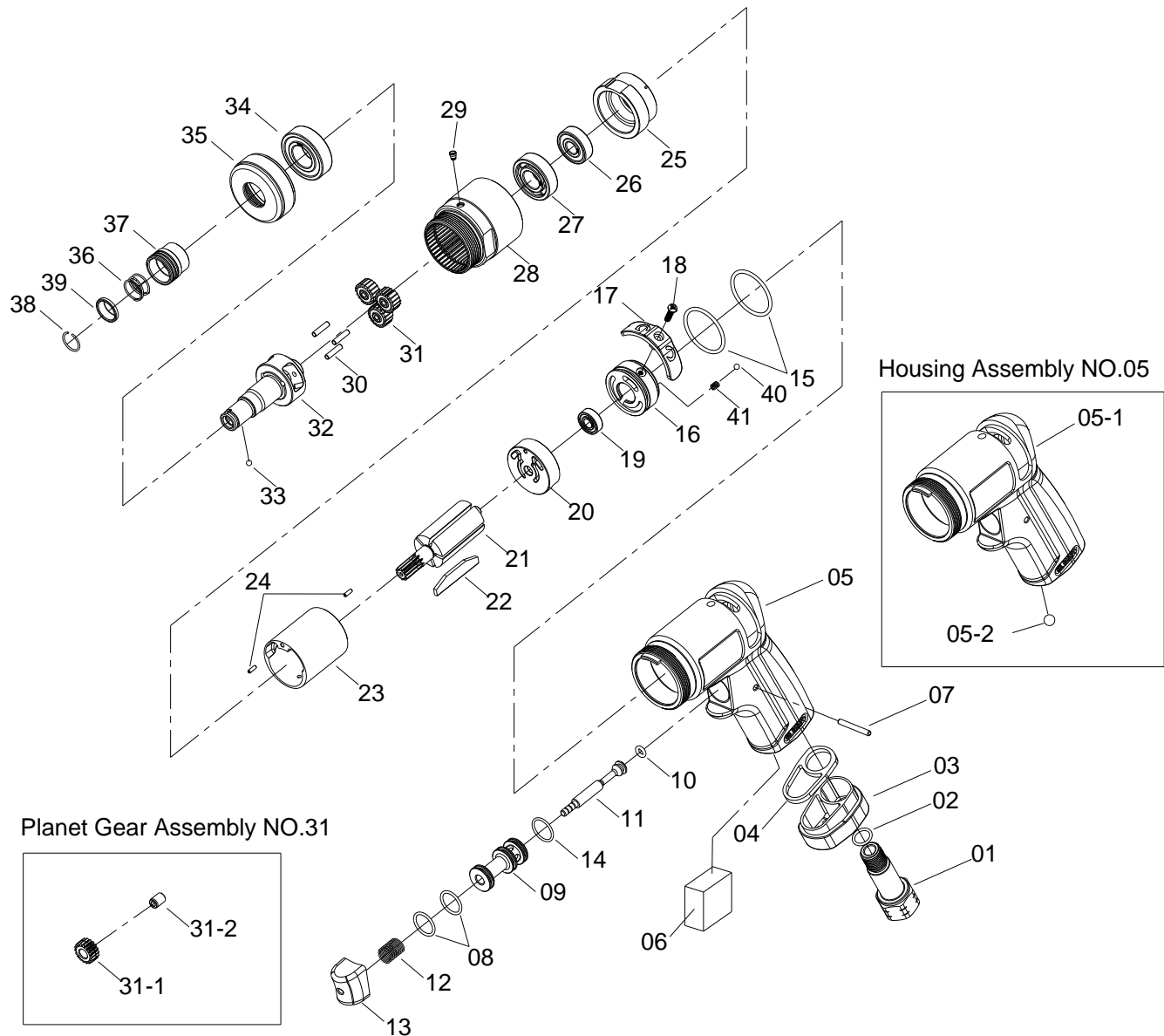


# 1/4" HEX. SUPER DUTY SCREWDRIVER



**3277**

INDEX NO.	DESCRIPTION	REQ'D NO.	INDEX NO.	DESCRIPTION	REQ'D NO.
1	Air Inlet	1	22	Rotor Blade	6
2	O-Ring	1	23	Cylinder	1
3	Exhaust Deflector	1	24	Spring Pin	2
4	Washer	1	25	Front End Plate	1
★ 5	Housing Assembly ( incl.5-1.5-2 )	1	26	Ball Bearing	1
● 5-1	Motor Housing	1	27	Ball Bearing	1
● 5-2	Steel Ball	1	28	Gear Housing	1
6	Muffler Element	1	29	Grease Fitting	1
7	Pin	1	30	Pin	3
8	O-Ring	2	★ 31	Planet Gear Assembly ( incl.31-1.31-2)	3
9	Throttle Valve Seat	1	● 31-1	Planet Gear	3
10	O-Ring	1	● 31-2	Bushing	3
11	Throttle Valve Plunger	1	32	Work Spinder	1
12	Spring	1	33	Steel Ball	1
13	Trigger	1	34	Ball Bearing	1
14	O-Ring	1	35	Bearing Washer	1
15	O-Ring	2	36	Spring	1
16	Reverse Valve	1	37	Release Sleeve	3
17	Reverse Knob	1	38	Socket Retainer	1
18	Screw	1	39	Washer	1
19	Ball Bearing	1	40	Steel Ball	1
20	Rear End Plate	1	41	Spring	1
21	Rotor	1	TK	Tune-Up Kit { incl.2.6 .8 ( 2 ).10.12.14.15 ( 2 ).22 ( 6 ).33.36.40.41 }	1

★ Must be Purchased in Assembly Set

● Recommended not to be purchased alone due to assembly difficulty

20130806R1