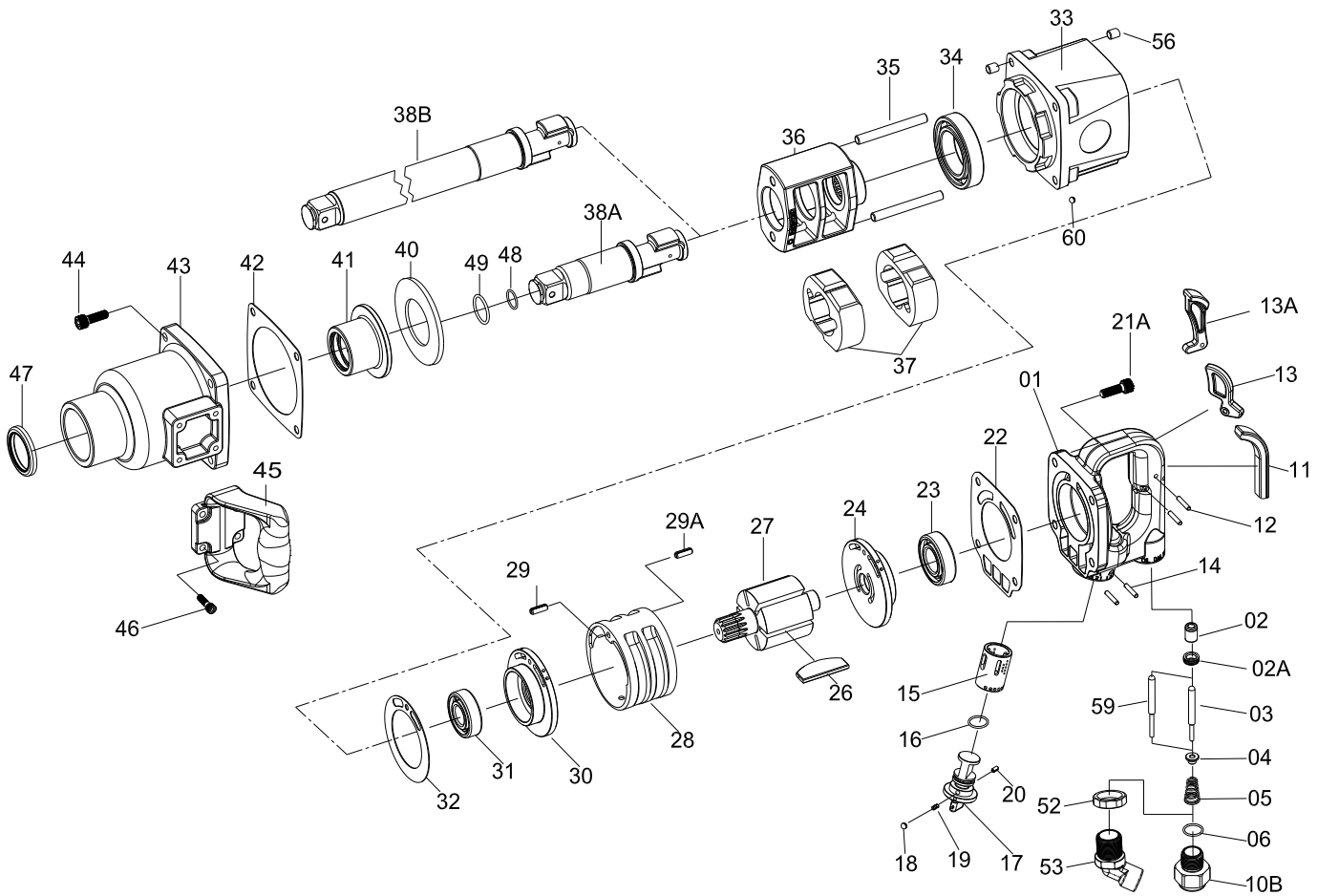


1" SQ. DR. SUPER DUTY IMPACT WRENCH



36/36-6

INDEX NO.	DESCRIPTION	REQ'D NO.	INDEX NO.	DESCRIPTION	REQ'D NO.
★ 1	Backhead Assembly (incl. 2.15)	1	29A	Spring Pin	1
● 2	Bushing	1	★ 30	Front End Plate Assembly (incl. 31)	1
2A	Throttle Valve Seat	1	● 31	Ball Bearing	1
3	Throttle Valve Plunger (for Inside Trigger)	1	● 32	Gasket	1
4	Throttle Valve	1	★ 33	Housing Assembly (incl. 56.60)	1
5	Spring	1	34	Ball Bearing	1
6	O-Ring	1	35	Hammer Pin	2
10B	Air Inlet	1	36	Hammer Frame	1
11	Rubber Cap (for Inside Trigger)	1	37	Hammer	2
12	Pin	2	38A	Standard Anvil (for KI-36)	1
13	Inside Trigger (Option)	1	38B	6" Extended Anvil (for KI-36-6)	1
13A	Outside Trigger (Option)	1	40	Washer	1
14	Spring Pin	2	41	Bushing	1
● 15	Reverse Valve Bushing	1	42	Gasket	1
16	O-Ring	1	43	Hammer Case	1
17	Reverse Valve	1	44	Screw	4
18	Steel Ball	1	45	Side Spade Handle	1
19	Spring	1	46	Screw	4
20	Spring Pin	1	47	Oil Seal	1
21A	Screw	4	48	O-Ring	1
22	Gasket	1	49	Socket Retainer	1
● 23	Ball Bearing	1	52	Lock Nut (Option)	1
★ 24	Rear End Plate Assembly (incl. 23)	1	53	Air Inlet (Option)	1
26	Rotor Blade	6	● 56	Heli-Coil	8
27	Rotor	1	59	Throttle Valve Plunger (for Outside Trigger)	1
28	Cylinder	1	● 60	Steel Ball	4
29	Spring Pin	1	TK	Tune-Up Kit { incl.5.6.16.18.19.22.23.26 (6).31.32.34.42.48.49 }	

★ Must be Purchased in Assembly Set

● Recommended not to be purchased alone due to assembly difficulty

20140505R5