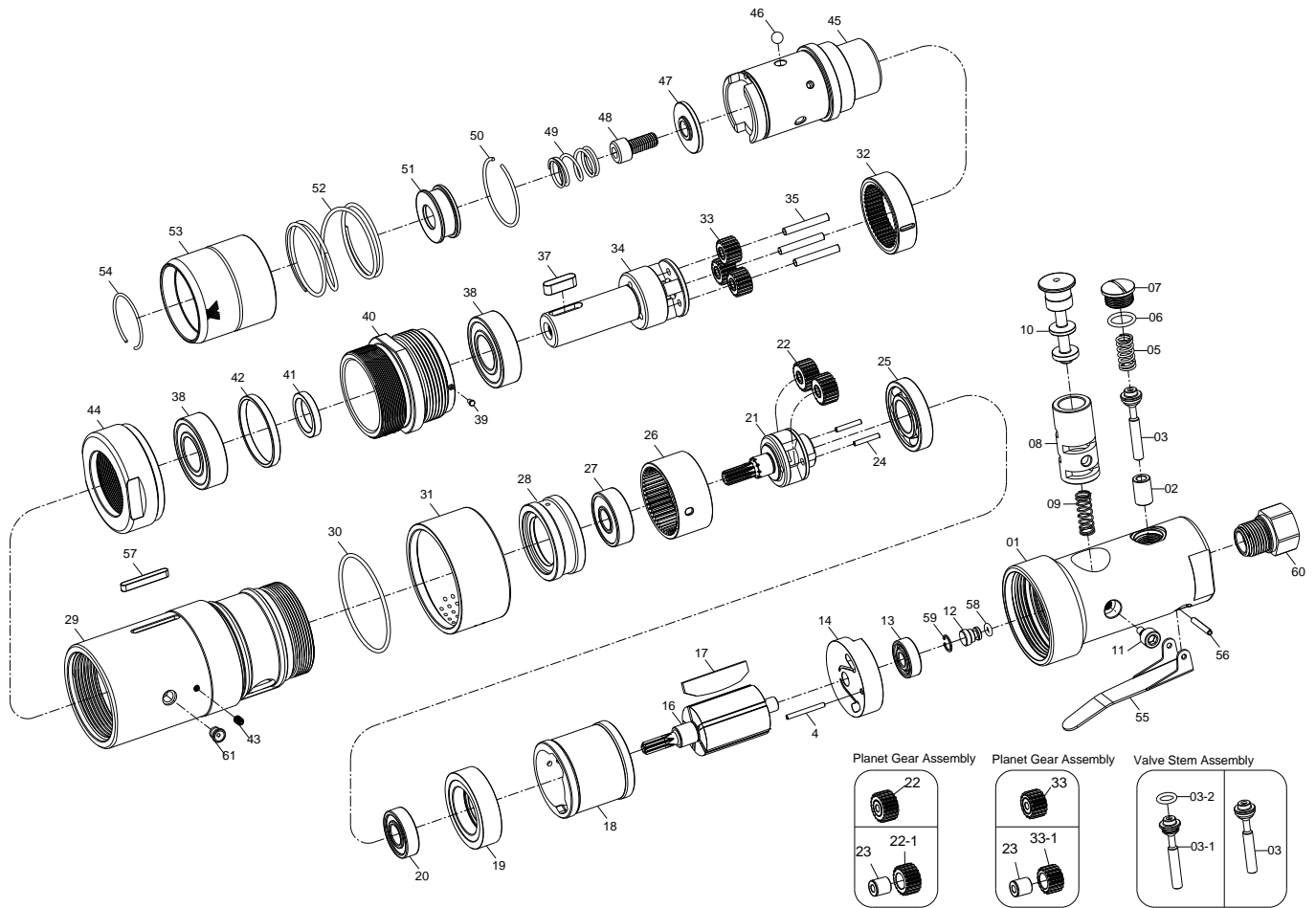


SUPER DUTY AIR TAPPING SPINDLE



4520

INDEX NO.	DESCRIPTION	REQ'D NO.	INDEX NO.	DESCRIPTION	REQ'D NO.
1	Housing	1	31	Exhaust Deflector	1
2	Throttle Valve Seat	1	32	Ring Gear	1
★ 3	Valve Stem Assembly { incl.3-1.3-2 }	1	★ 33	Planet Gear Assembly { incl.33-1 (3).23 (3) }	3
● 3-1	Valve Stem	1	● 33-1	Planet Gear	3
● 3-2	O-Ring	1	34	Work Spindle	1
4	Spring Pin	1	35	Pin	3
5	Spring	1	37	Key	1
6	O-Ring	1	38	Ball Bearing	2
7	Throttle Plug	1	39	Pin	1
8	Bushing	1	40	Coupling Nut	1
9	Spring	1	41	Spacer	1
10	Reverse Valve	1	42	Spacer	1
11	Screw	1	43	Screw	2
12	Bushing	1	44	Casing Front Cover	1
13	Ball Bearing	1	45	Spindle	1
14	Rear End Plate	1	46	Steel Ball	3
16	Rotor	1	47	Washer	1
17	Rotor Blade	5	48	Screw	1
18	Cylinder	1	49	Spring	1
19	Front End Plate	1	50	Socket Retainer	1
20	Ball Bearing	1	51	Washer	1
21	Carrier	1	52	Spring	1
★ 22	Planet Gear Assembly { incl.22-1 (2).23 (2) }	2	53	Release Sleeve	1
● 22-1	Planet Gear	2	54	Socket Retainer	1
● 23	Bushing	5	55	Trigger	1
24	Pin	2	56	Spring Pin	1
25	Ball Bearing	1	57	Key	2
26	Ring Gear	1	58	O-Ring	1
27	Ball Bearing	1	59	Retainer	1
28	Spacer	1	60	Air Inlet	1
29	Hammer Case	1	61	Grease Fitting	1
30	O-Ring	1	TK	Tune-Up Kit { incl.5.6.9.17 (5).30.39.43 (2).46 (3).49.50.52.54.58 }	1

★ Must be Purchased in Assembly Set

● Recommended not to be purchased alone due to assembly difficulty