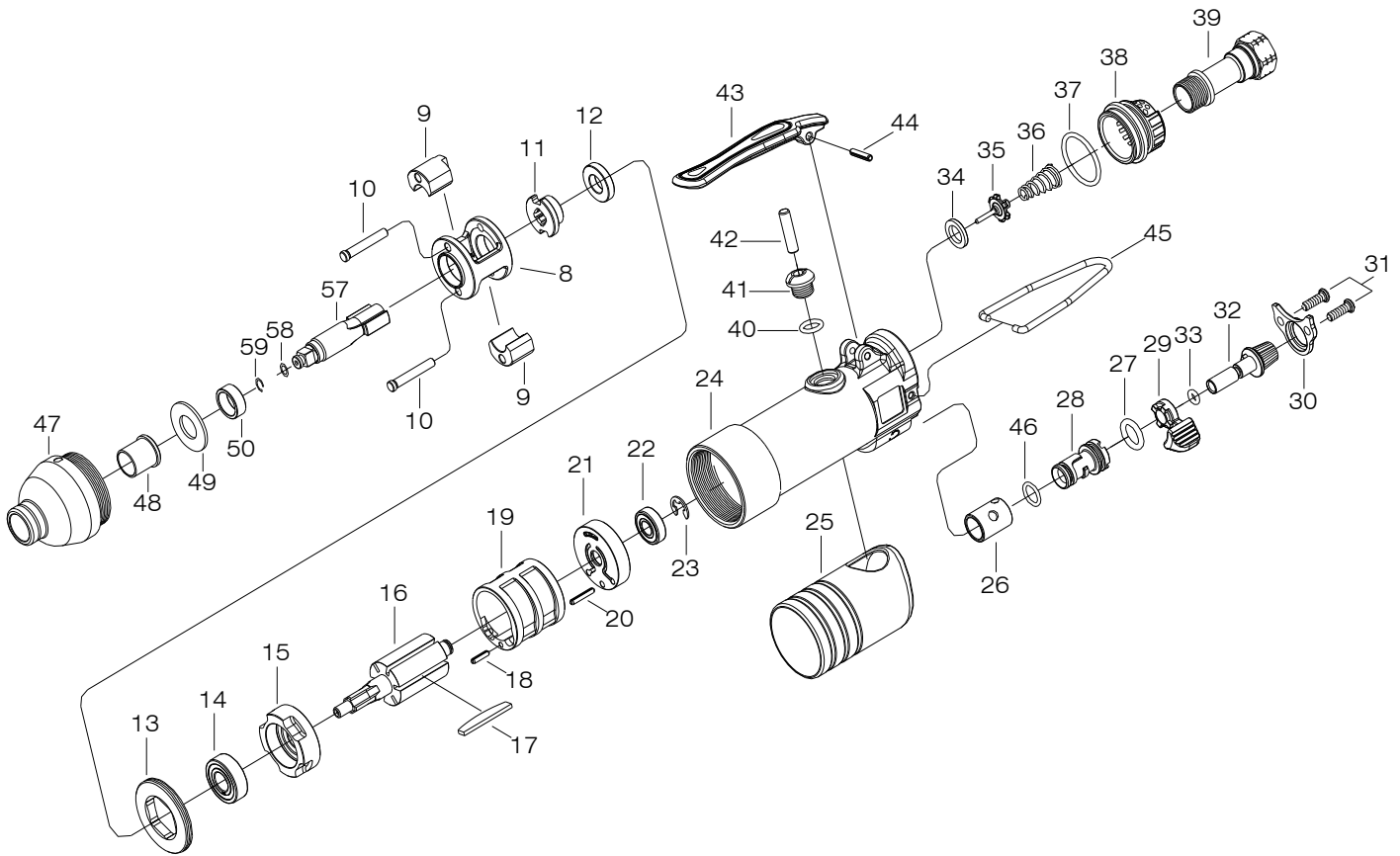


1/4" SQ. DR. Super Duty Impact Wrench



1202

INDEX NO.	DESCRIPTION	REQ'D NO.	INDEX NO.	DESCRIPTION	REQ'D NO.
8	Hammer Frame	1	33	O-Ring	1
9	Hammer	2	★ 34	Throttle Valve Seat Assembly (incl.34-1)	1
10	Hammer Pin	2	●34-1	O-Ring	1
11	Hammer cam	1	★ 35	Throttle Valve Assembly (incl.35-1)	1
12	Spacer Ring	1	●35-1	Throttle Valve Pin	1
13	Lock Nut	1	36	Spring	1
14	Ball Bearing	1	37	O-Ring	1
15	Front End Plate	1	38	Exhaust Deflector	1
16	Rotor	1	39	Air Inlet	1
17	Rotor Blade	6	40	O-Ring	1
18	Spring Pin	1	41	Valve Cap	1
19	Cylinder	1	42	Pin	1
20	Spring Pin	1	43	Trigger	1
21	Rear End Plate	1	44	Trigger Pin	1
22	Ball Bearing	1	45	Hanger	1
23	Retainer	1	46	O-Ring	1
★24	Housing Assembly (incl.26)	1	47	Hammer Case	1
25	Rubber Grip	1	48	Bushing	1
●26	Reverse Valve Bushing	1	49	Washer	1
27	O-Ring	1	50	Axle Bushing	1
28	Reverse Valve	1	57	Standard Anvil	1
29	Reverse Knob	1	58	O-Ring	1
30	Fixed Plate	1	59	Socket Retainer	1
31	Screw	2			
32	Air Regulator	1	TK	Tune-Up Kit { 14.17(6) . 22.27.33.36.37.40.58.59 }	

★ Must be Purchased in Assembly Set

● Recommended not to be purchased alone due to assembly difficulty

PA3-01202-1 20101215R1