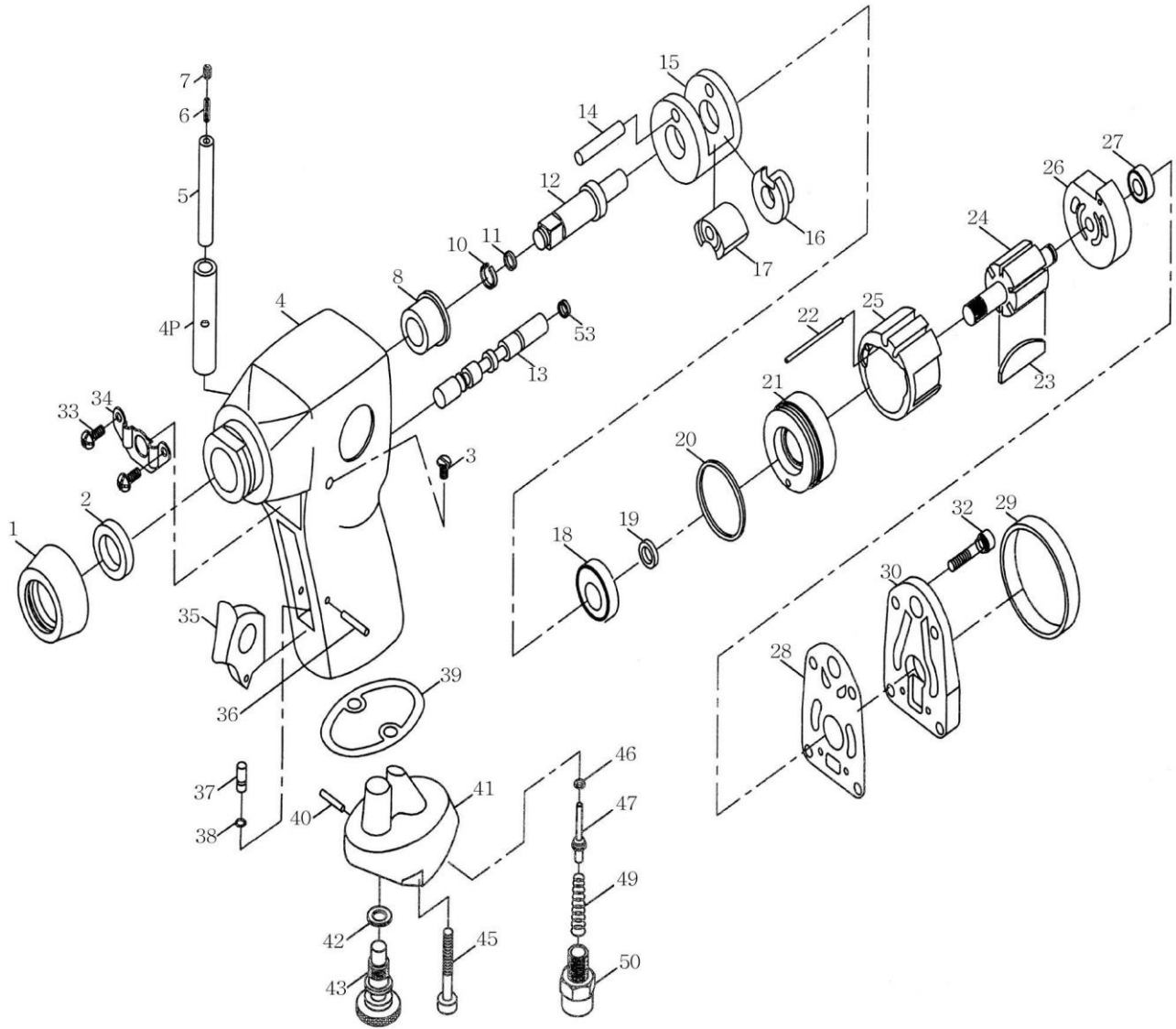


# 3/8" SQ.DR.GENERAL DUTY IMPACT WRENCH



1308

INDEX NO.	DESCRIPTION	REQ'D NO.	INDEX NO.	DESCRIPTION	REQ'D NO.
01	Rubber Nose Guard	1	27	Ball Bearing	1
02	Oil Seal	1	28	Gasket	1
03	Oiler Screw	1	29	Housing Band	1
04	Motor Housing	1	30	Housing Cap	1
04P	Valve Bushing	1	32	Set Screw	4
05	Reverse Valve Pin	1	33	Screw	2
06	Spring	1	34	Exhaust Cover	1
07	Set Screw	1	35	Throttle Lever	1
08	Housing Bushing	1	36	Pin	1
10	Socket Ret.Ring	1	37	Push Pin	1
11	O-Ring	1	38	O-Ring	1
12	Anvil	1	39	Gasket	1
13	Reverse Valve Pin	1	40	Pin	1
14	Hammer Cage Pin	1	41	Valve Block	1
15	Hammer Cage	1	42	O-Ring	1
16	Cam	1	43	Regulator Valve	1
17	Hammer Dog	1	45	Set Screw	2
18	Ball Bearing	1	46	O-Ring	1
19	Oil Seal	1	47	Throttle Valve	1
20	O-Ring	1	49	Spring	1
21	Front End Plate	1	50	Hose Adapter	1
22	Motor Pin	1	53	O-Ring	1
23	Rotor Blade	6	TK	Tune-Up Kit (Includes Illustrated Parts 10.11.20.28.38.39.42.46.49.53)	
24	Rotor	1			
25	Cylinder	1			
26	Rear End Plate	1			