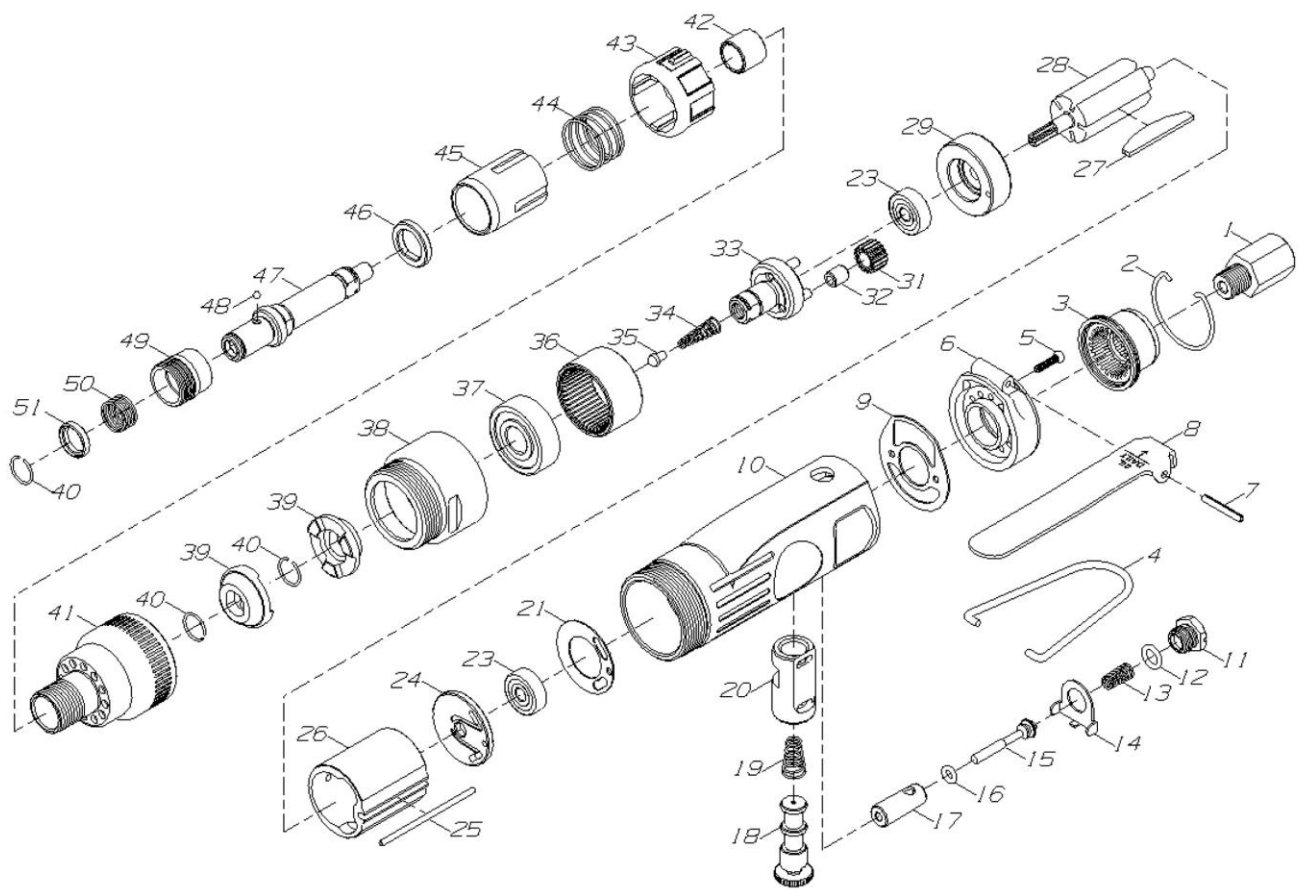


# 1/4" HEX. HEAVY DUTY AIR SCREWDRIVER



3213

INDEX NO.	DESCRIPTION	REQ'D NO.	INDEX NO.	DESCRIPTION	REQ'D NO.
01	Inlet Bushing	1	26	Cylinder (P.M) (Standard)	1
02	Stop Ring	1		Cylinder (STEEL) (Option)	
03	Deflector	1	27	Rotor Blade	5
04	Hanger	1	28	Rotor	1
05	Screw	2	29	Bearing Case	1
06	Housing Cap	1	31	Planet Gear	3
07	Pin	1	32	Gear Bushing	3
08	Throttle Lever (Standard)	1	33	Carrier	1
	Safety Lever (Option)		34	Spring	1
09	Housing Gasket	1	35	Spring Guide	1
10	Motor Housing	1	36	Internal Gear	1
11	Valve Screw	1	37	Ball Bearing	1
12	O-Ring	1	38	Clutch Housing	1
13	Valve Spring	1	39	Clutch Carrier	2
14	Reverse Retainer	1	40	Retaining Ring	3
15	Throttle Valve	1	41	Lock Cover	1
16	O-Ring	1	42	Bushing	1
17	Valve Bushing	1	43	Valve	1
18	Reverse Valve	1	44	Spring	1
19	Reverse Spring	1	45	Adjusting Nut	1
20	Bushing	1	46	Spacer	1
21	Motor Gasket	1	47	Output Spindle	1
23	Ball Bearing	2	48	Steel Ball	1
24	Rear End Plate	1	49	Ball Releaser	1
25	Motor Pin	1	50	Spring	1
			51	Washer	1