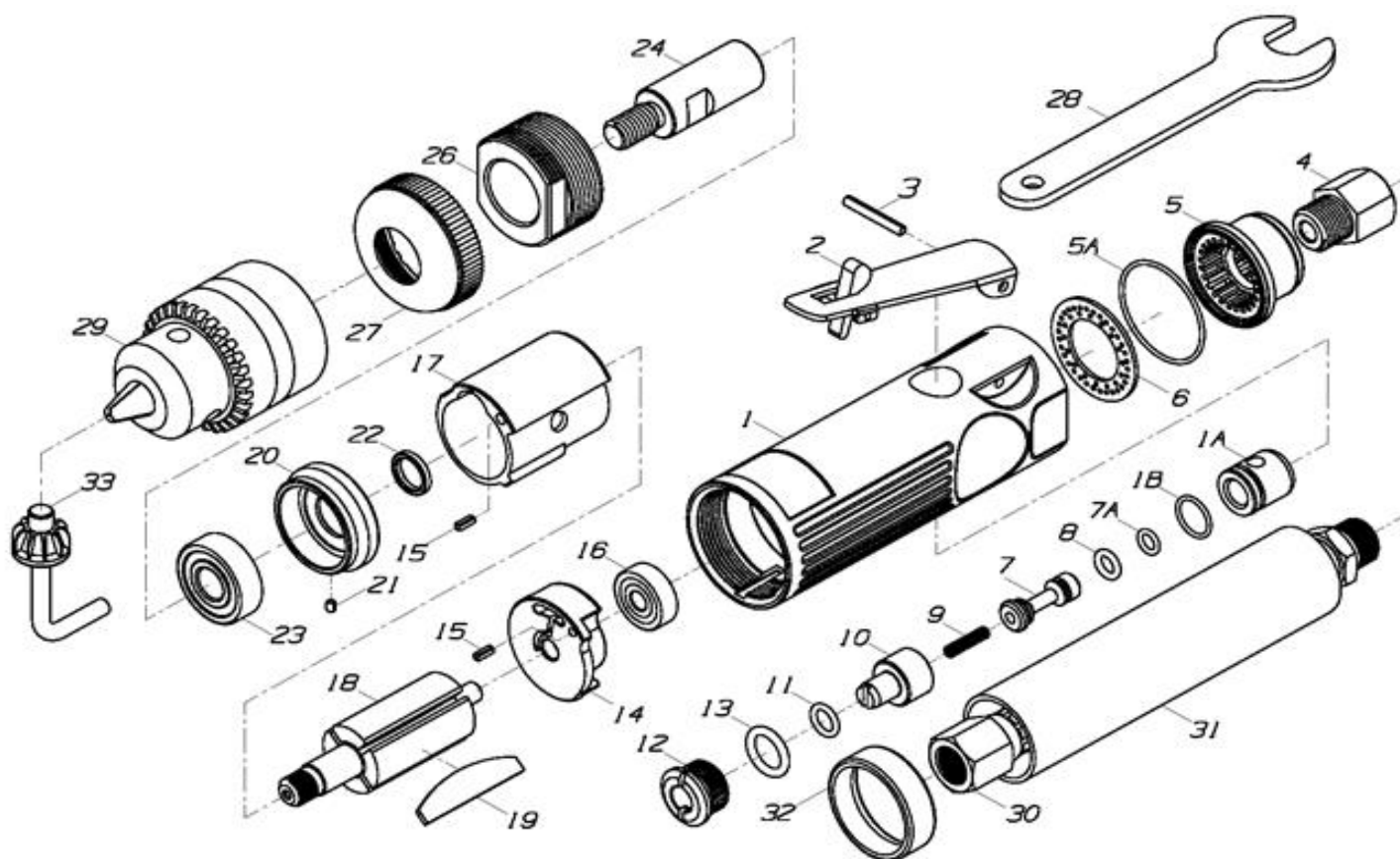


3/8" HEAVY DUTY HIGH SPEED AIR TIRE BUFFER

氣動高速磨光機



4401

INDEX NO.	DESCRIPTION	中文名稱	REQ'D NO.	INDEX NO.	DESCRIPTION	中文名稱	REQ'D NO.
01	Motor Housing	手柄	1	15	Pin	固定銷	2
01A	Valve Bushing	節流缸		16	Ball Bearing	滾珠軸承	1
01B	O-Ring	O型環	1	17	Cylinder(P.M)(Standard)	氣缸(粉末)(標準)	1
02	Throttle Lever (Standard)	壓板板機(標準)	1	Cylinder(STEEL)(Option)	氣缸(鑄鐵)(選擇)	18	
	Safety Throttle Lever (Option)	安全板機(選擇)	1	Rotor	轉子		1
03	Lever Pin	板機固定銷	1	19	Rotor Blade	葉片	4
04	Inlet Bushing	1/4"進氣口		20	Front Plate	前端板	1
05	Exhaust Deflector	消音罩	1	21	Pin	固定銷	1
	Exhaust Deflector (Option)(For 4401-HO)	消音罩(選擇)(For 4401-HO)	1	22	Bearing Spacer	間隔片	1
05A	O-Ring (Option)(For 4401-HO)	O型環(選擇)(For 4401-HO)	1	23	Ball Bearing	滾珠軸承	1
06	Exhaust Washer	排氣墊圈	1	24	Motor Spindle	主軸	1
07	Valve Stem	進氣頂桿	1	26	Retainer	鎖環	1
07A	O-Ring	O型環	1	27	Housing Cap	手柄前蓋	1
08	O-Ring	O型環	1	28	Wrench	扳手	1
09	Spring	彈簧	1	29	3/8"Chuck	3/8"夾頭	1
10	Air Regulator	調整鈕	1	30	Inlet Hose (Option)(For 4401-HO)	進氣管(選擇)(For 4401-HO)	1
11	O-Ring	O型環	1	31	Exhaust Hose (Option)(For 4401-HO)	排氣管(選擇)(For 4401-HO)	1
12	Valve Screw	進氣閥帽	1	32	Hose Locker (Option)(For 4401-HO)	排氣管固定環(選擇)(For 4401-HO)	1
13	O-Ring	O型環	1	33	3/8"Chuck Key	3/8"齒花扳手	1
14	Rear Plate	後端板	1				

0000.00.00

2011.07.01 2013.07.23