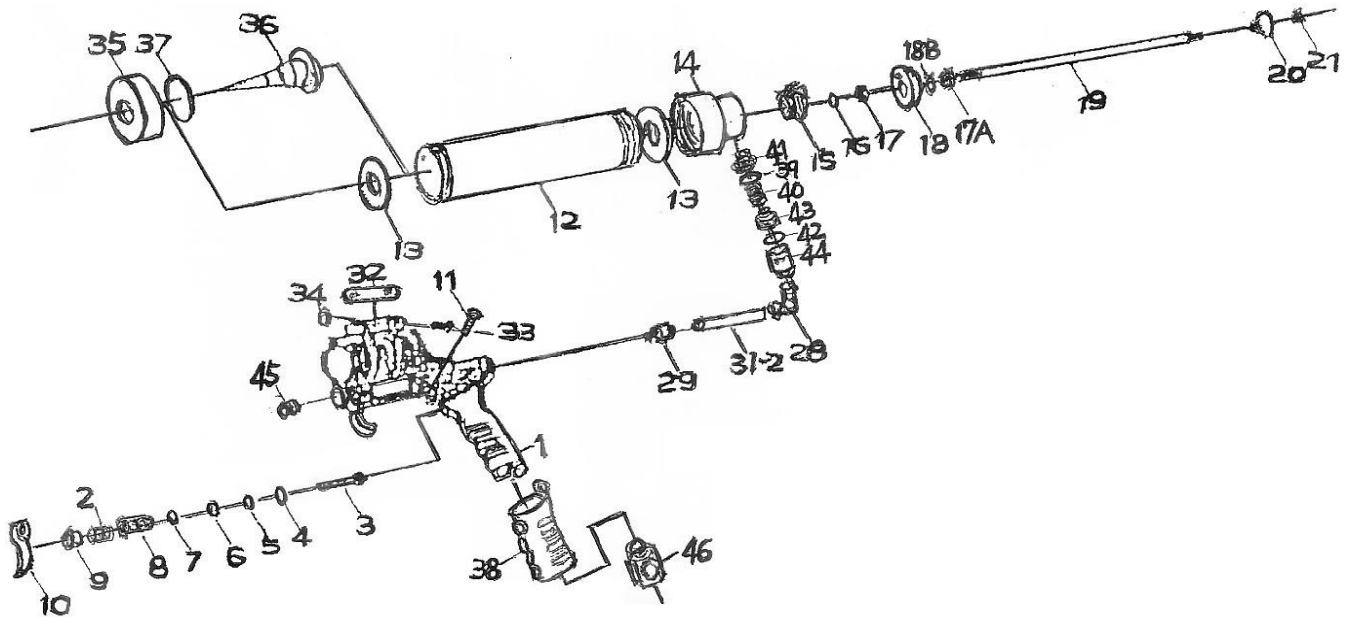


# 2 IN 1 HEAVY DUTY AIR CAULKING GUN



4613-D

INDEX NO.	DESCRIPTION	REQ'D NO.	INDEX NO.	DESCRIPTION	REQ'D NO.
01	Handle	1	20	Rod Puller	1
02	Valve Spring	1	21	Lock Nut	1
03	Throttle Valve	1	28	"L" Hose Q.C. Connector	1
04	O-Ring	1	29	Hose Connector	1
05	O-Ring	1	31-2	Air Hose (L:3.5cm) for 9" Tube	1
06	O-Ring	1		Air Hose (L:5cm) for 11" Tube (Option)	
07	O-Ring	1		Air Hose (L:7cm) for 13" Tube (Option)	
08	Valve Bushing	1	32	Spacer	1
09	Stem Cover	1	33	Screw	2
10	Trigger	1	34	Nut	2
11	Trigger Riveter	1	35	Front Cover	1
12	Aluminum Tube 9"	1	36	Glue Nozzle for Sachet	1
	Aluminum Tube 11" (Option)		37	O-Ring	1
	Aluminum Tube 13" (Option)		38	Handle Grip (Option)	1
13	Gasket	2	39	O-Ring	1
14	Tube Connector	1	40	Piston Spring	1
15	Push Rod Bushing	1	41	Exhaust Valve Connector	1
16	O-Ring	1	42	O-Ring	1
17	Nylon Lock Nut	1	43	Piston	1
17A	Nut	1	44	Valve Body	1
18	Piston	1	45	Set Screw	1
18B	Washer	1	46	Air Regulator	1
19	Push Rod 9"	1			
	Push Rod 11"(Option)				
	Push Rod 13"(Option)				

0000.00.00

2016.04.13 2016.06.06