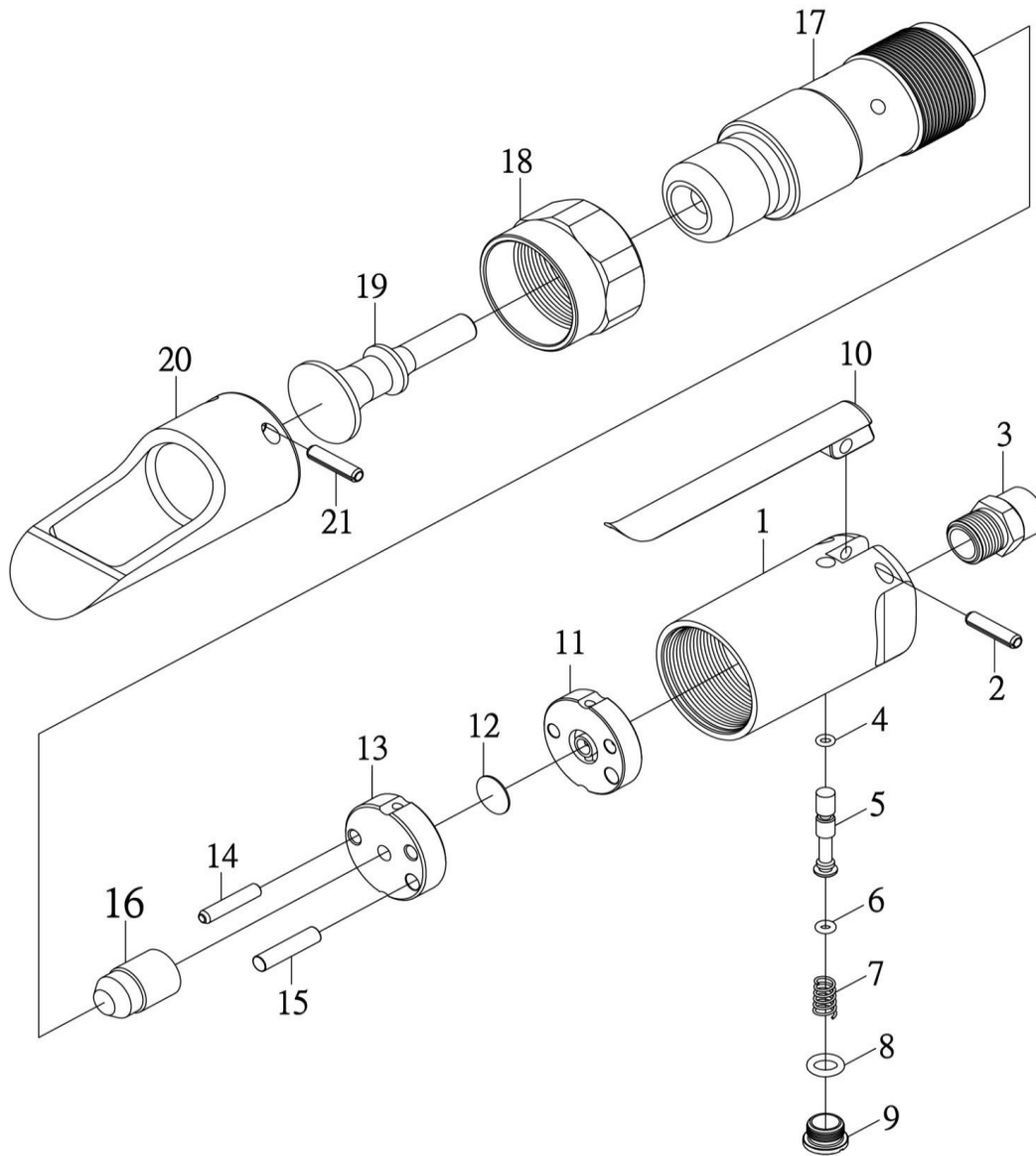


# HEAVY DUTY AIR HAMMER



4749-PH

INDEX NO.	DESCRIPTION	REQ'D NO.	INDEX NO.	DESCRIPTION	REQ'D NO.
01	Handle	1	12	Main Valve	1
02	Spring Pin	1	13	Lower Valve	1
03	Air Inlet Bushing	1	14	Dowel Valve Case (S)	1
04	O-Ring	1	15	Dowel Valve Case (L)	1
05	Valve-Throttle	1	16	Piston	1
06	O-Ring	1	17	Cylinder	1
07	Spring Valve	1	18	Lock Nut	1
08	O-Ring	1	19	Driver	1
09	Throttle Valve Cap	1	20	Guide	1
10	Throttle Lever	1	21	Spring Pin	2
11	Upper Valve	1			

0000.00.00  
2013.11.12