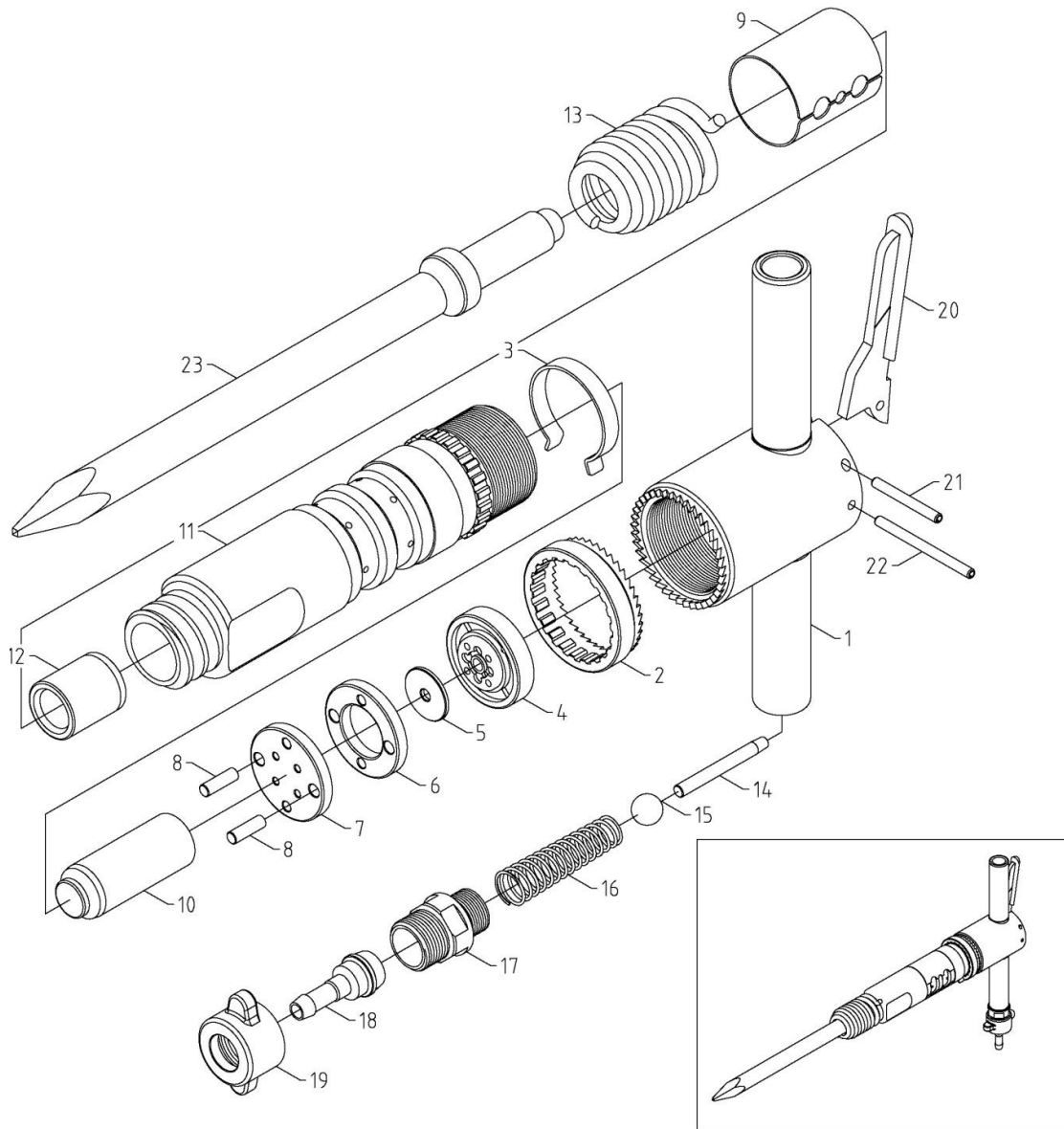


# SUPER DUTY AIR CONCRETE BREAKER



4771

INDEX NO.	DESCRIPTION	REQ'D NO.	INDEX NO.	DESCRIPTION	REQ'D NO.
01	Housing	1	13	Retainer Spring Beehive Type	1
02	Lock Ring	1	14	Valve Stem	1
03	Retainer Clip	1	15	Valve Ball	1
04	Upper Valve Case	1	16	Valve Spring	1
05	Valve Disc	1	17	Inlet Bushing	1
06	Valve Case	1	18	Hose Nipple	1
07	Lower Valve Case	1	19	Nut	1
08	Dowel Pin	2	20	Lever	1
09	Exhaust Deflector	1	21	Spring Pin	1
10	Piston	1	22	Spring Pin	1
11	Cylinder	1	23	Chisel (Moil Point)	1
12	Cylinder Bushing	1			

0000.00.00

2014.09.16 2019.07.01