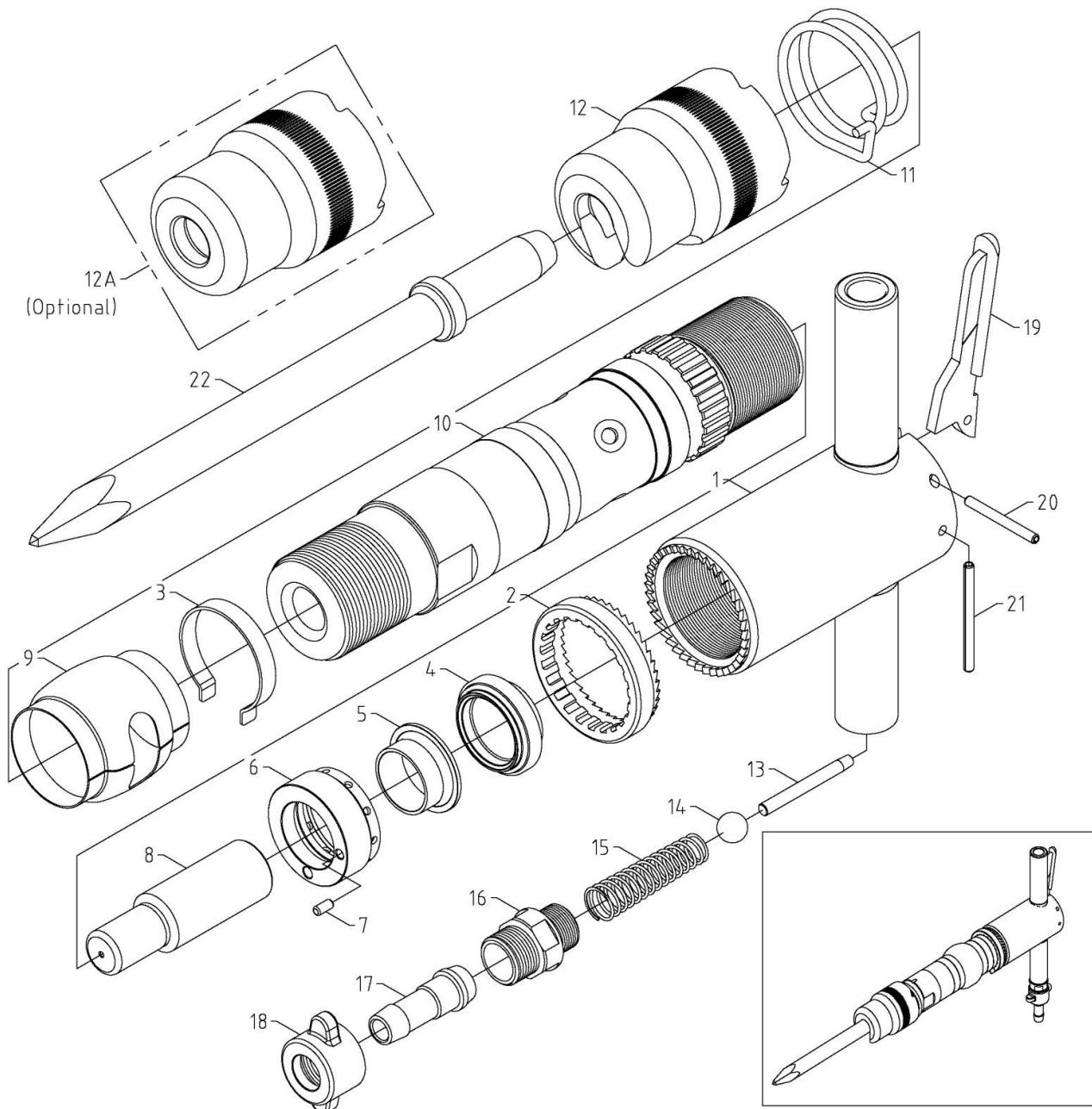


SUPER DUTY AIR CONCRETE BREAKER



4772

INDEX NO.	DESCRIPTION	REQ'D NO.	INDEX NO.	DESCRIPTION	REQ'D NO.
01	Housing	1	12A	Hitch Cutter Retainer(Closed Type) (Option)	1
02	Lock Ring	1	13	Valve Stem	1
03	Retainer Clip	1	14	Valve Ball	1
04	Upper Valve Case	1	15	Valve Spring	1
05	Valve	1	16	Inlet Bushing	1
06	Lower Valve Case	1	17	Hose Nipple	1
07	Dowel Pin	1	18	Nut	1
08	Piston	1	19	Lever	1
09	Exhaust Deflector	1	20	Spring Pin	1
10	Cylinder	1	21	Spring Pin	1
11	Retainer Spring	1	22	Chisel (Moil Point)	1
12	Hitch Cutter Retainer	1	22-1	Chisel (Flat,45mm) (Option)	1

0000.00.00

2019.01.11 2019.07.01