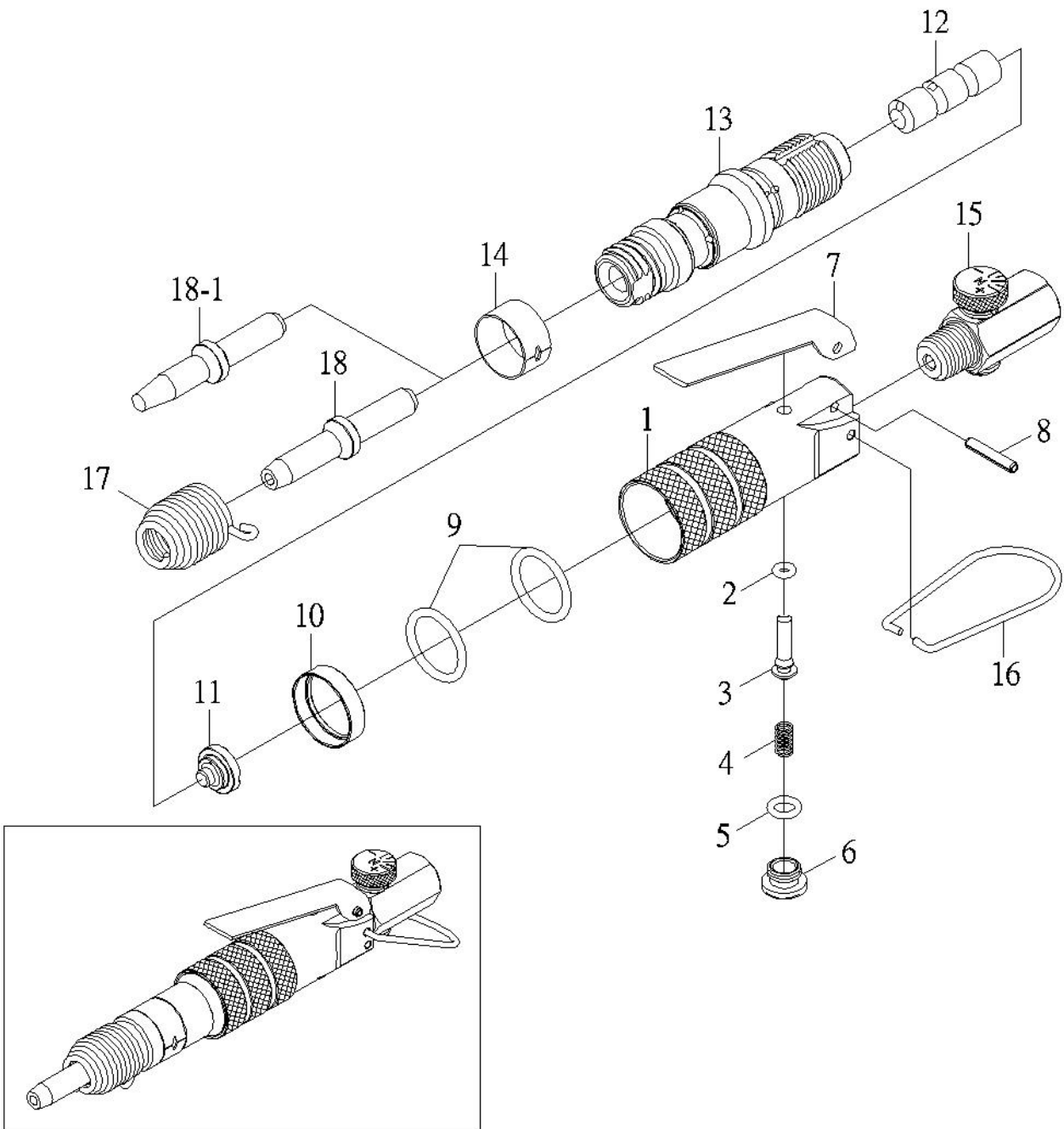


SUPER DUTY AIR RIVETING HAMMER



4790-XR8

| INDEX NO. | DESCRIPTION | REQ'D NO. | INDEX NO. | DESCRIPTION | REQ'D NO. |
|-----------|----------------|-----------|-----------|----------------------|-----------|
| 01 | Handle | 1 | 11 | Rear Plate | 1 |
| 02 | O-Ring | 1 | 12 | Piston | 1 |
| 03 | Throttle Valve | 1 | 13 | Cylinder | 1 |
| 04 | Spring | 1 | 14 | Exhaust Deflector | 1 |
| 05 | O-Ring | 1 | 15 | Air Regulator | 1 |
| 06 | Valve Plug | 1 | 16 | Suspension Ring | 1 |
| 07 | Valve Lever | 1 | 17 | Retainer Spring | 1 |
| 08 | Spring Pin | 1 | 18 | Round Head Rivet Set | 1 |
| 09 | O-Ring | 2 | 18-1 | Flat Head Rivet Set | 1 |
| 10 | O-Ring Spacer | 1 | | | |