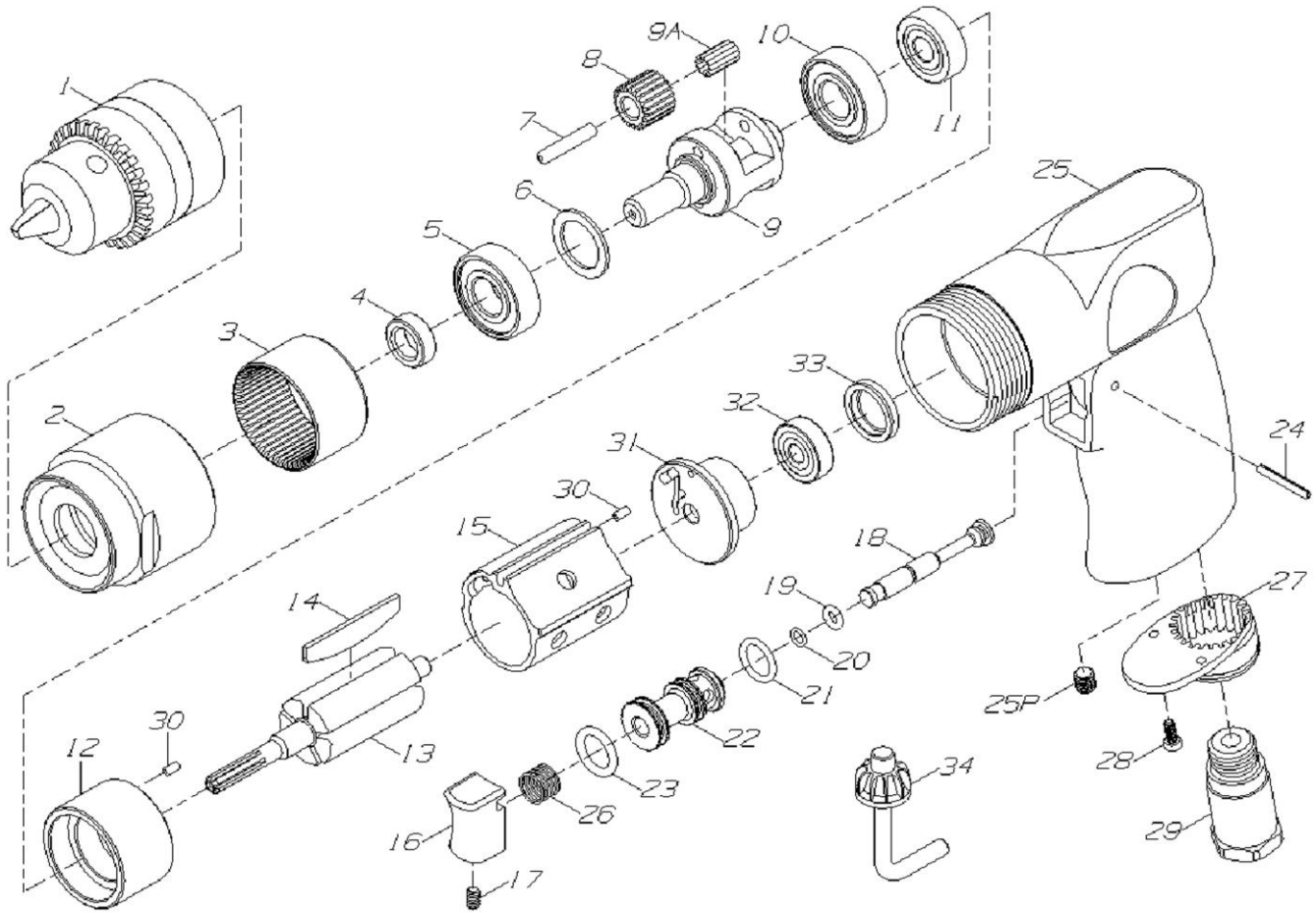


# 3/8" HEAVY DUTY AIR DRILL



5317

INDEX NO.	DESCRIPTION	REQ'D NO.	INDEX NO.	DESCRIPTION	REQ'D NO.
01	3/8" Chuck	1	18	Valve	1
	Keyless Chuck		19	O-Ring	1
02	Gear Cover	1	20	O-Ring	1
03	Internal Gear	1	21	O-Ring	2
04	Washer	1	22	Valve Bushing	1
05	Ball Bearing	1	23	O-Ring	1
06	Washer	1	24	Pin	1
07	Pin	2	25	Motor Housing (Incl.25P)	1
08	Gear (inc. Needles)	2	25P	Set Screw	1
09	Gear Plate	1	26	Spring	1
09A	Gear Needles	22	27	Exhaust Deflector	1
10	Ball Bearing	1	28	Screw	2
11	Ball Bearing	1	29	Inlet Bushing	1
12	Front End Plate	1	30	Pin	2
13	Rotor	1	31	Rear End Plate	1
14	Rotor Blade	5	32	Ball Bearing	1
15	Cylinder	1	33	Bearing Cap	1
16	Trigger	1	34	Chuck Key	1
17	Set Screw	1			

2009.10.19  
2009.12.31