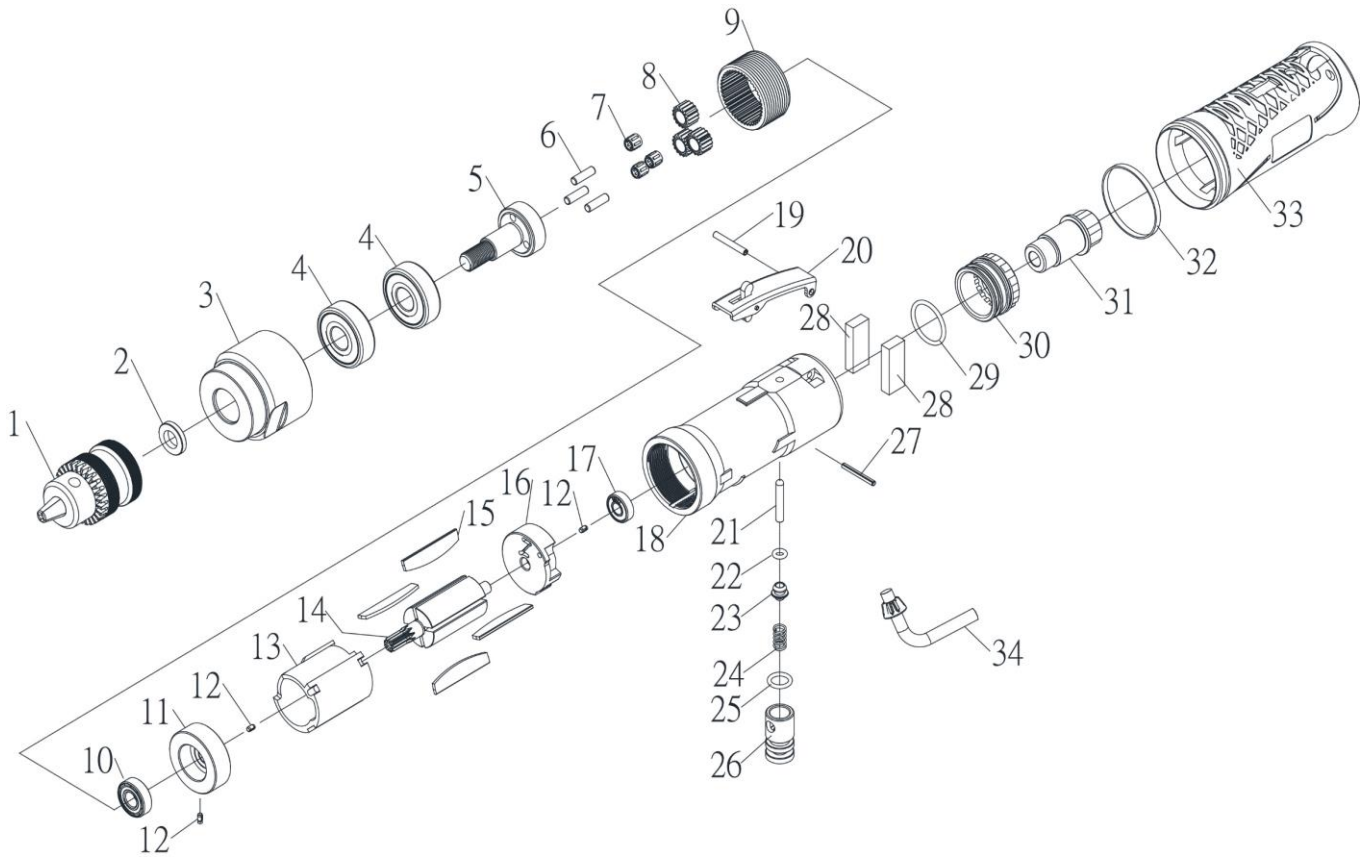


# 3/8" HEAVY DUTY AIR DRILL



5342A

INDEX NO.	DESCRIPTION	REQ'D NO.	INDEX NO.	DESCRIPTION	REQ'D NO.
01	Drill Chuck (3/8")	1	18	Motor Housing	1
02	Chuck Spacer	1	19	Spring Pin	1
03	Bearing Housing	1	20	Safety Lever	1
04	Ball Bearing	2	21	Valve Shaft	1
05	Planet Carrier	1	22	O-Ring	1
06	Needle Spindle	3	23	Throttle Valve	1
07	Needle Bearing	3	24	Valve Spring	1
08	Pinion	3	25	O-Ring	1
09	Internal Gear	1	26	Air Regulator	1
10	Ball Bearing	1	27	Spring Pin	1
11	Front End Plate	1	28	Muffler	2
12	Spring Pin	3	29	O-Ring	1
13	Cylinder	1	30	Exhaust Sleeve	1
14	Rotor	1	31	Inlet Bushing	1
15	Rotor Blade	4	32	Rubber Band	1
16	Rear End Plate	1	33	Housing Cover	1
17	Ball Bearing	1	34	Key	1

0000.00.00

2015.01.21 2016.10.21