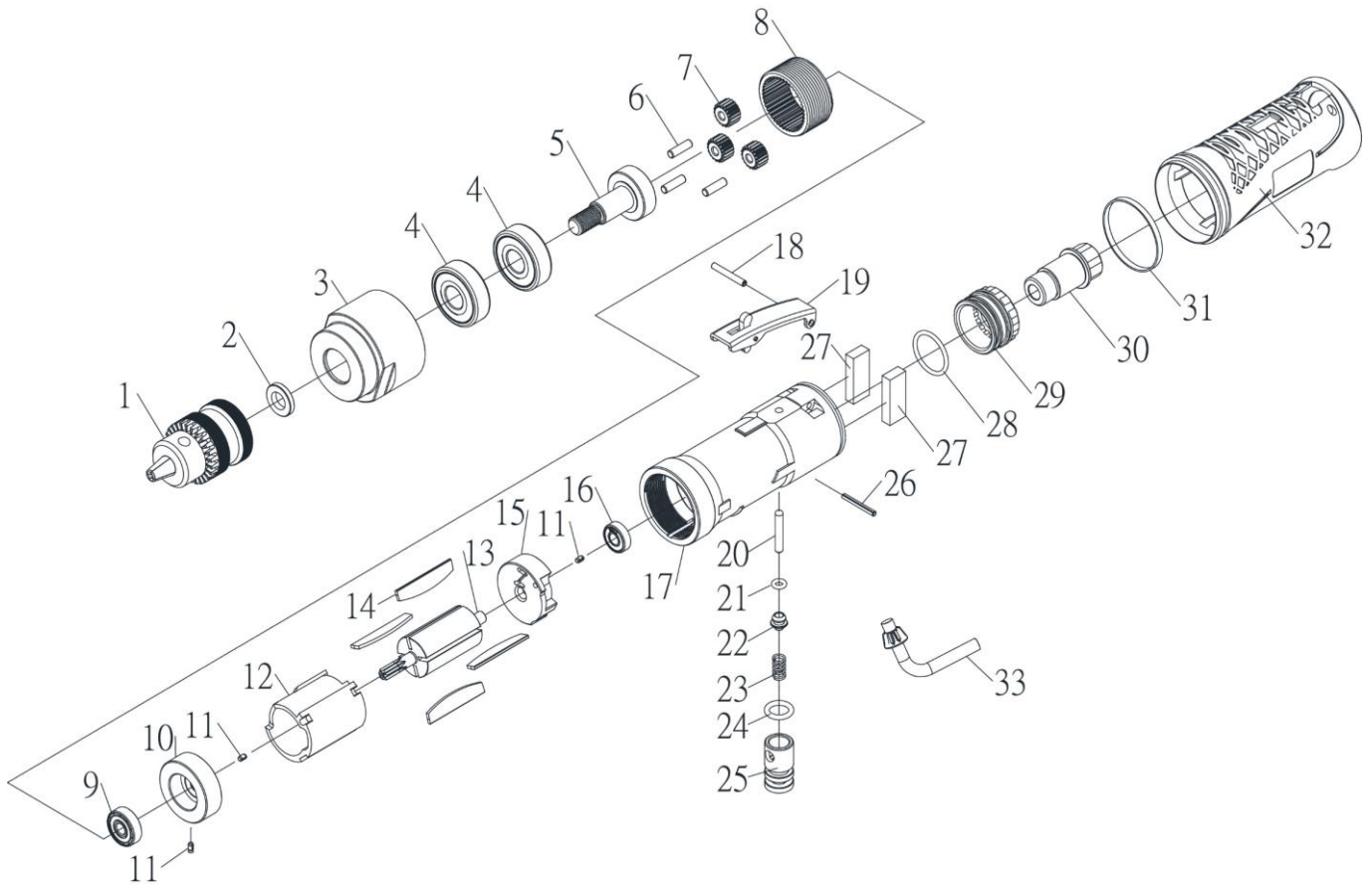


3/8" HEAVY DUTY AIR DRILL



5342

INDEX NO.	DESCRIPTION	REQ'D NO.	INDEX NO.	DESCRIPTION	REQ'D NO.
01	Drill Chuck (3/8")	1	18	Spring Pin	1
02	Chuck Spacer	1	19	Safety Lever	1
03	Bearing Housing	1	20	Valve Shaft	1
04	Ball Bearing	2	21	O-Ring	1
05	Planet Carrier	1	22	Throttle Valve	1
06	Needle Spindle	3	23	Valve Spring	1
07	Planet Gear	3	24	O-Ring	1
08	Internal Gear	1	25	Air Regulator	1
09	Ball Bearing	1	26	Spring Pin	1
10	Front End Plate	1	27	Muffler	2
11	Spring Pin	3	28	O-Ring	1
12	Cylinder	1	29	Exhaust Sleeve	1
13	Rotor	1	30	Inlet Bushing	1
14	Rotor Blade	4	31	Rubber Band	1
15	Rear End Plate	1	32	Housing Cover	1
16	Ball Bearing	1	33	Key	1
17	Motor Housing	1			

0000.00.00

2015.01.21 2016.10.21