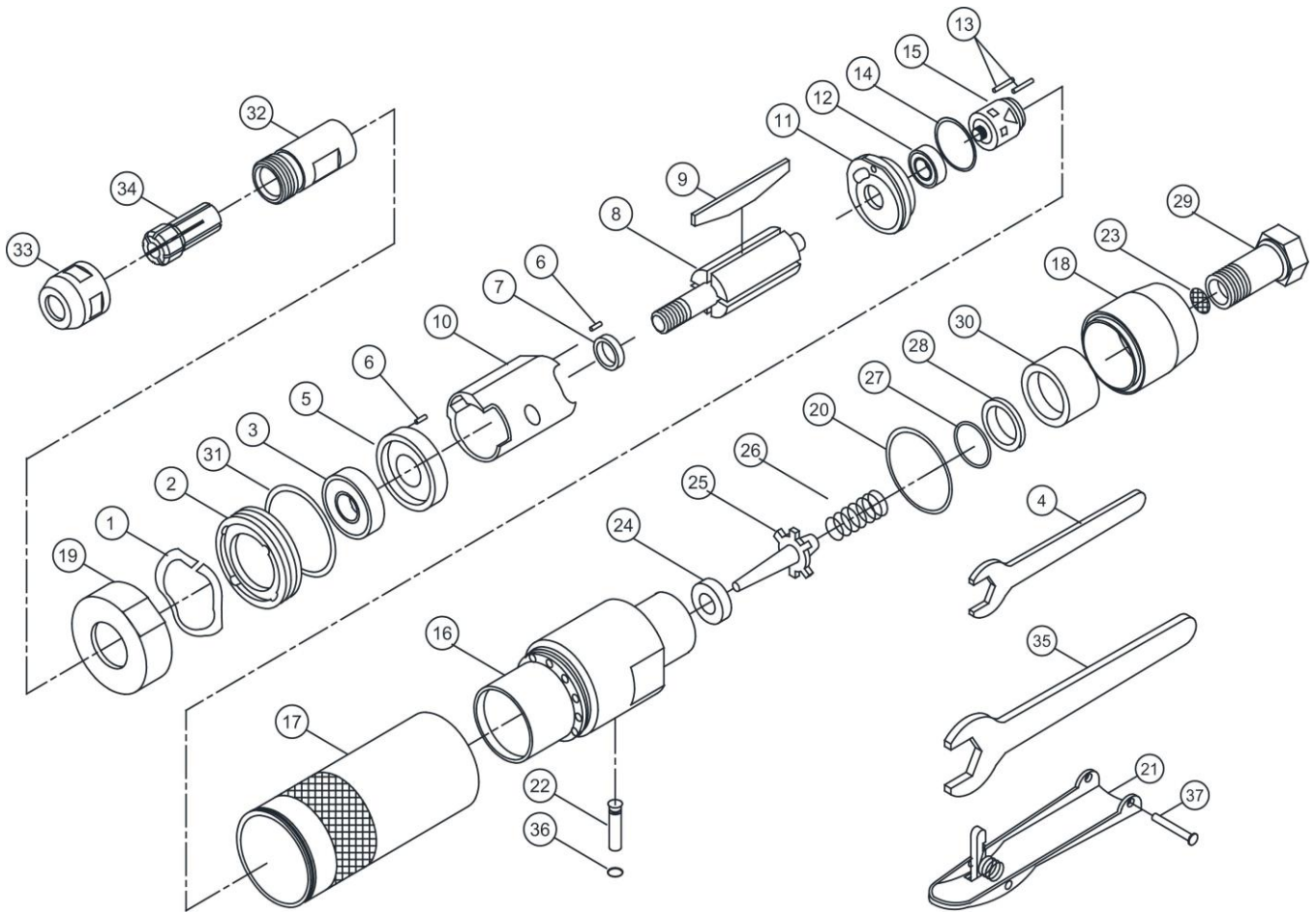


# SUPER DUTY AIR DIE GRINDER W/GOVERNOR



6216A

INDEX NO.	DESCRIPTION	REQ'D NO.	INDEX NO.	DESCRIPTION	REQ'D NO.
01	Wave Spring	1	20	O-Ring	1
02	Adapter	1	21	Safety Lever Assembly	1
03	Bearing	1	22	Valve Stem	1
04	14mm Spanner (Chuck)	1	23	Screens	1
05	Front Bearing Plate	1	24	Valve Seat	1
06	Pin	2	25	Tip Valve	1
07	Spacer	1	26	Spring	1
08	Rotor	1	27	O-Ring	1
09	Blade	4	28	Spacer	1
10	Cylinder	1	29	Inlet	1
11	Rear Bearing Plate	1	30	Felt	1
12	Bearing	1	31	O-Ring	1
13	Pin	2	32	Collet Holder	1
14	Gasket	1	33	Nut	1
15	Governor Assembly	1	34	Collet	1
16	Throttle Housing	1	35	19mm Spanner (Cap Nut)	1
17	Housing	1	36	O-Ring	1
18	Rear Silencer	1	37	Pin	1
19	Nut	1			

0000.00.00  
2015.09.17