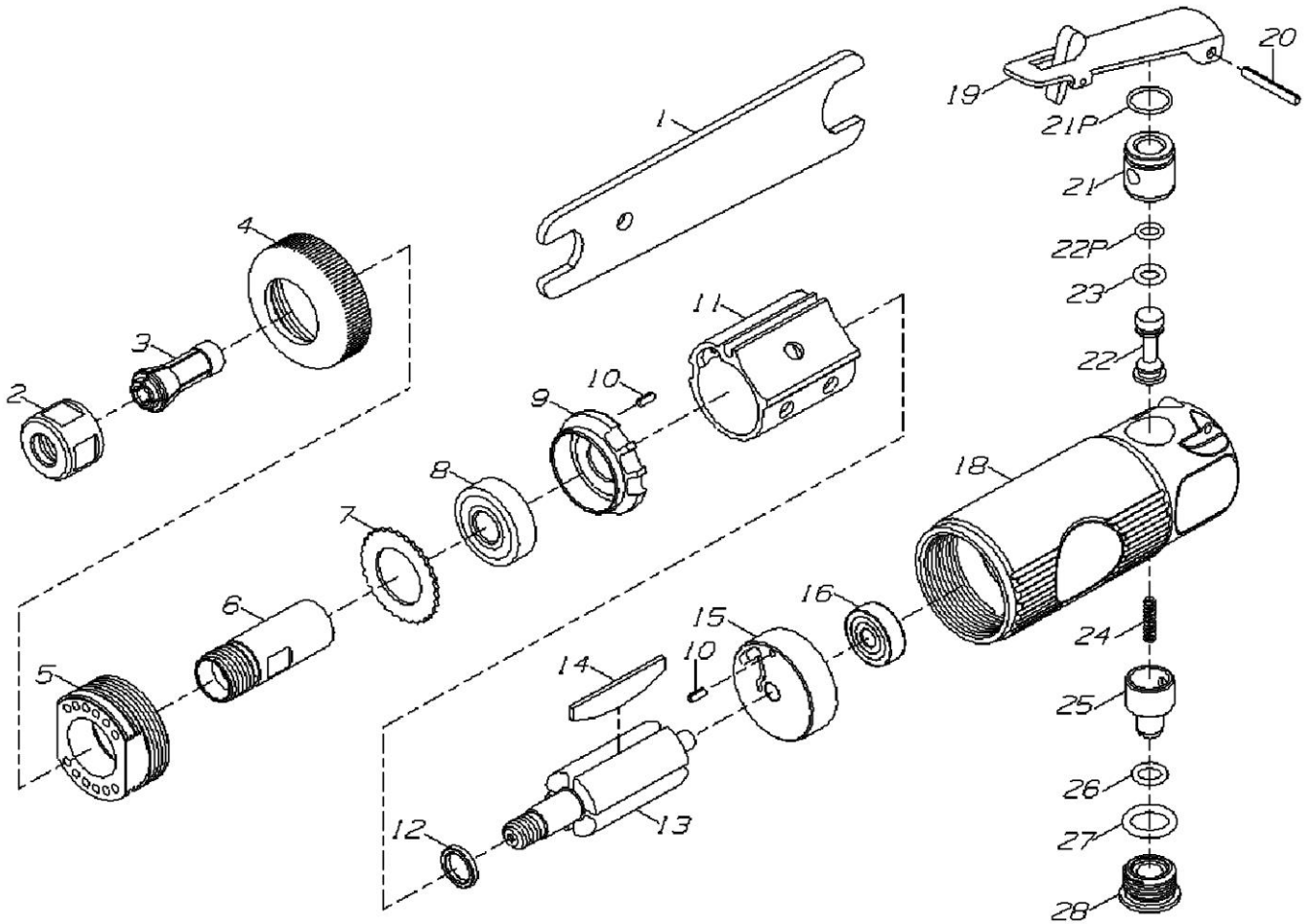


HEAVY DUTY AIR DIE GRINDER



6222

INDEX NO.	DESCRIPTION	REQ'D NO.	INDEX NO.	DESCRIPTION	REQ'D NO.
01	Double Ended Spanner	2	16	Ball Bearing	1
02	Collet Nut	1	18	Motor Housing	1
03	Collet	1	19	Safety Lever	1
04	Housing Cap	1	20	Throttle Pin	1
05	Retainer	1	21	Valve Bushing	1
06	Spindle	1	21P	O-Ring	1
07	Silencer	1	22	Throttle Valve	1
08	Ball Bearing	1	22P	O-Ring	1
09	Front End Plate	1	23	O-Ring	1
10	Pin	2	24	Spring	1
11	Cylinder	1	25	Air Regulator	1
12	Spacer	1	26	O-Ring	1
13	Rotor	1	27	O-Ring	1
14	Rotor Blade	4	28	Valve Screw	1
15	Rear End Plate	1			

0000.00.00

2010.08.20 2019.08.20

