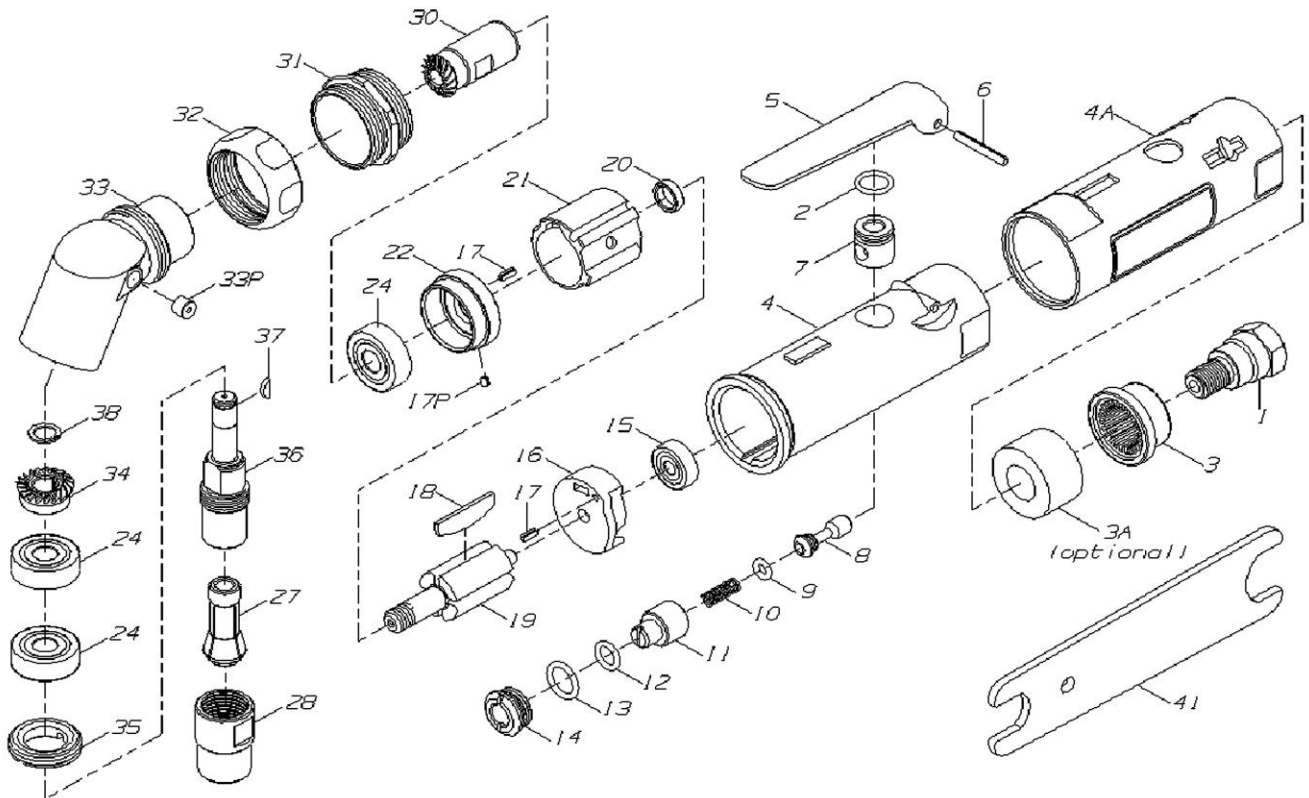


# HEAVY DUTY AIR ANGLE DIE GRINDER



6230-A

INDEX NO.	DESCRIPTION	REQ'D NO.	INDEX NO.	DESCRIPTION	REQ'D NO.
01	Inlet Bushing	1	18	Rotor Blades	4
02	O-Ring	1	19	Rotor	1
03	Exhaust Sleeve	1	20	Bearing Spacer	1
03A	Muffler (Option)	1	21	Cylinder (P.M./Steel)	1
04	Motor Housing	1	22	Front End Plate	1
04A	Housing Sleeve	1	24	Ball Bearing	3
05	Throttle Lever/Safety	1	27	Collet(1/4",1/8",6mm,3mm)	1
06	Throttle Lever Pin	1	28	Collet Nut	1
07	Valve Bushing	1	30	Bevel Gear	1
08	Throttle Valve	1	31	Cap Lock	1
09	O-Ring	1	32	Threaded Cap	1
10	Spring	1	33	Angle Housing(inc.#33P)	1
11	Air Regulator	1	33P	Ball Cap	1
12	O-Ring	1	34	Bevel Gear	1
13	O-Ring	1	5	Clamp Nut	1
14	Valve screw	1	36	Spindle	1
15	Ball Bearing	1	37	Key	1
16	Rear End Plate	1	38	Retaining Ring	1
17	Pin	2	41	Double Ended Spanner	2
17P	Pin	1			

2008.11.01  
2009.06.25