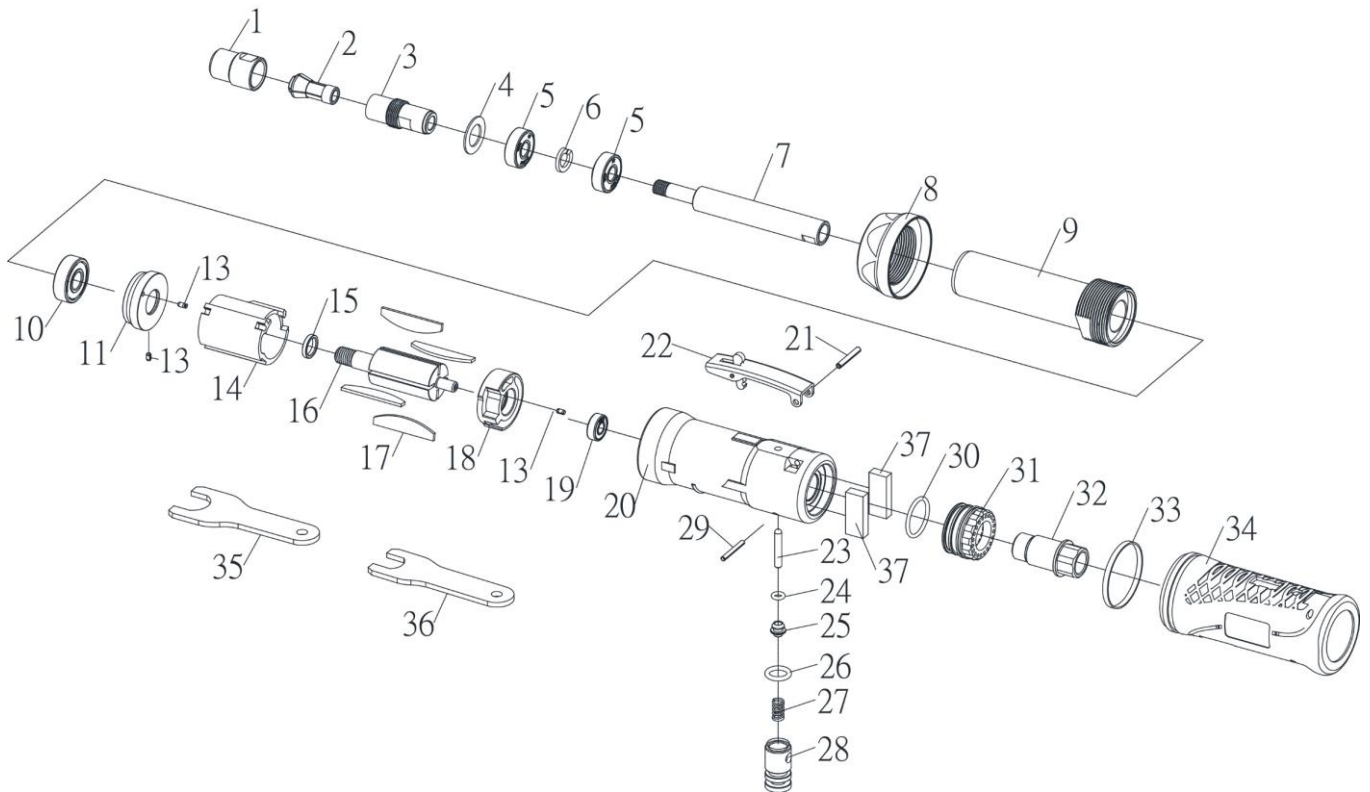


HEAVY DUTY AIR DIE GRINDER



6242-4L

INDEX NO.	DESCRIPTION	REQ'D NO.	INDEX NO.	DESCRIPTION	REQ'D NO.
01	Collet Nut	1	20	Motor Housing	1
02	1/4" Collet	1	21	Spring Pin	1
	6mm Collet		22	Safety Lever	1
03	Spindle	1	23	Valve Shaft	1
04	Spacer	1	24	O-Ring	1
05	Ball Bearing	2	25	Throttle Valve	1
06	Washer	1	26	O-Ring	1
07	Shaft Coupling	1	27	Valve Spring	1
08	Coupling Nut	1	28	Air Regulator	1
09	Retaining Bar	1	29	Spring Pin	1
10	Ball Bearing	1	30	O-Ring	1
11	Front End Plate	1	31	Exhaust Sleeve	1
13	Spring Pin	3	32	Inlet Bushing	1
14	Cylinder	1	33	Rubber Band	1
15	Washer	1	34	Housing Cover	1
16	Rotor	1	35	#17mm Spanner	1
17	Rotor Blade	4	36	#11mm Spanner	1
18	Rear End Plate	1	37	Muffler	2
19	Ball Bearing	1			

0000.00.00

2015.01.21 2016.10.21