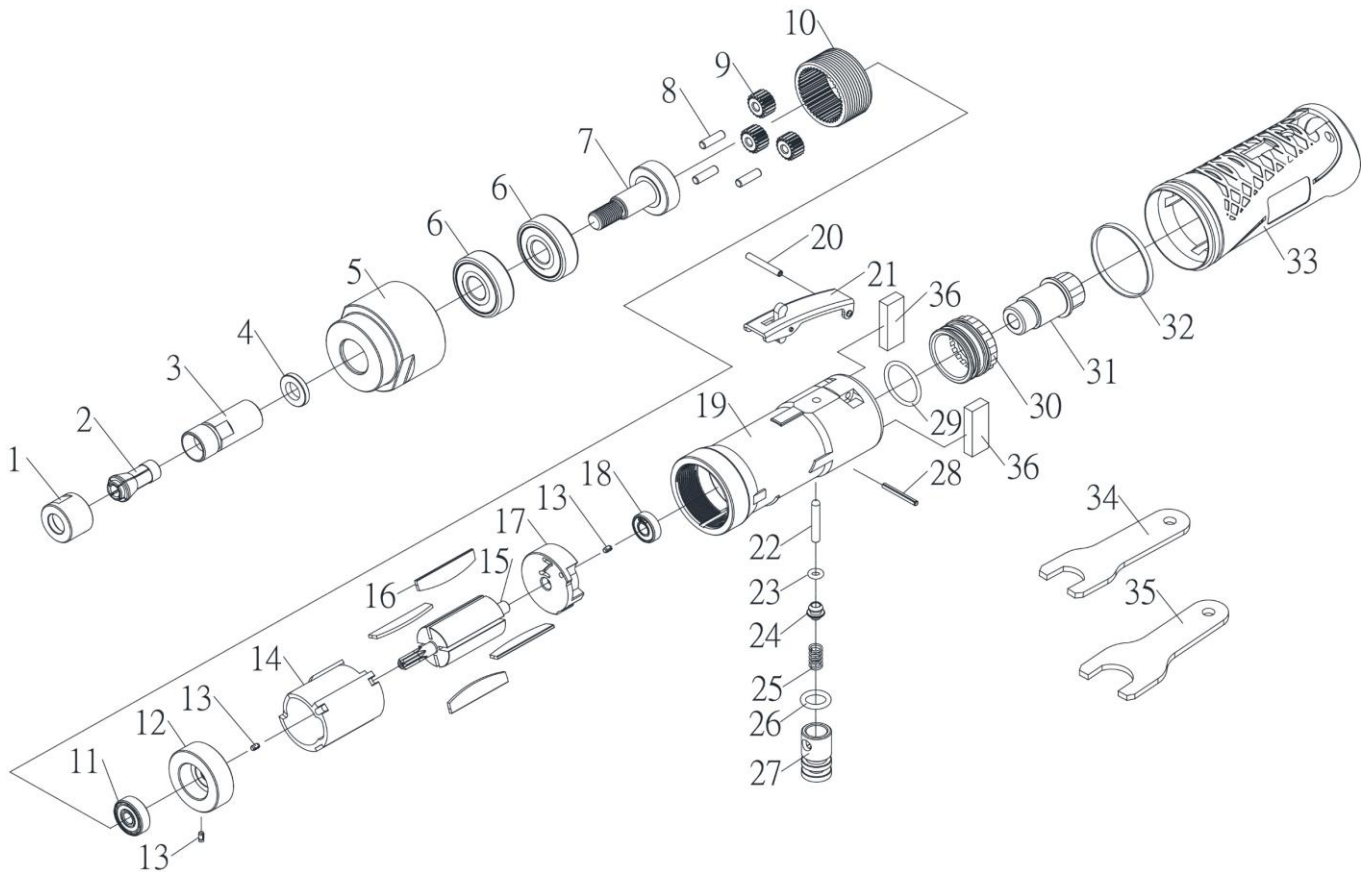


# HEAVY DUTY LOW SPEED AIR DIE GRINDER



6243

INDEX NO.	DESCRIPTION	REQ'D NO.	INDEX NO.	DESCRIPTION	REQ'D NO.
01	Collet Nut	1	19	Motor Housing	1
02	1/4" Collet	1	20	Spring Pin	1
	6mm Collet		21	Safety Lever	1
03	Spindle	1	22	Valve Shaft	1
04	Chuck Spacer	1	23	O-Ring	1
05	Bearing Housing	1	24	Throttle Valve	1
06	Ball Bearing	2	25	Valve Spring	1
07	Planet Carrier	1	26	O-Ring	1
08	Needle Spindle	3	27	Air Regulator	1
09	Planet Gear	3	28	Spring Pin	1
10	Internal Gear	1	29	O-Ring	1
11	Ball Bearing	1	30	Exhaust Sleeve	1
12	Front End Plate	1	31	Inlet Bushing	1
13	Spring Pin	3	32	Rubber Band	1
14	Cylinder	1	33	Housing Cover	1
15	Rotor	1	34	#14mm Spanner	1
16	Rotor Blade	4	35	#19mm Spanner	1
17	Rear End Plate	1	36	Muffler	2
18	Ball Bearing	1			

0000.00.00

2015.01.21 2016.10.21