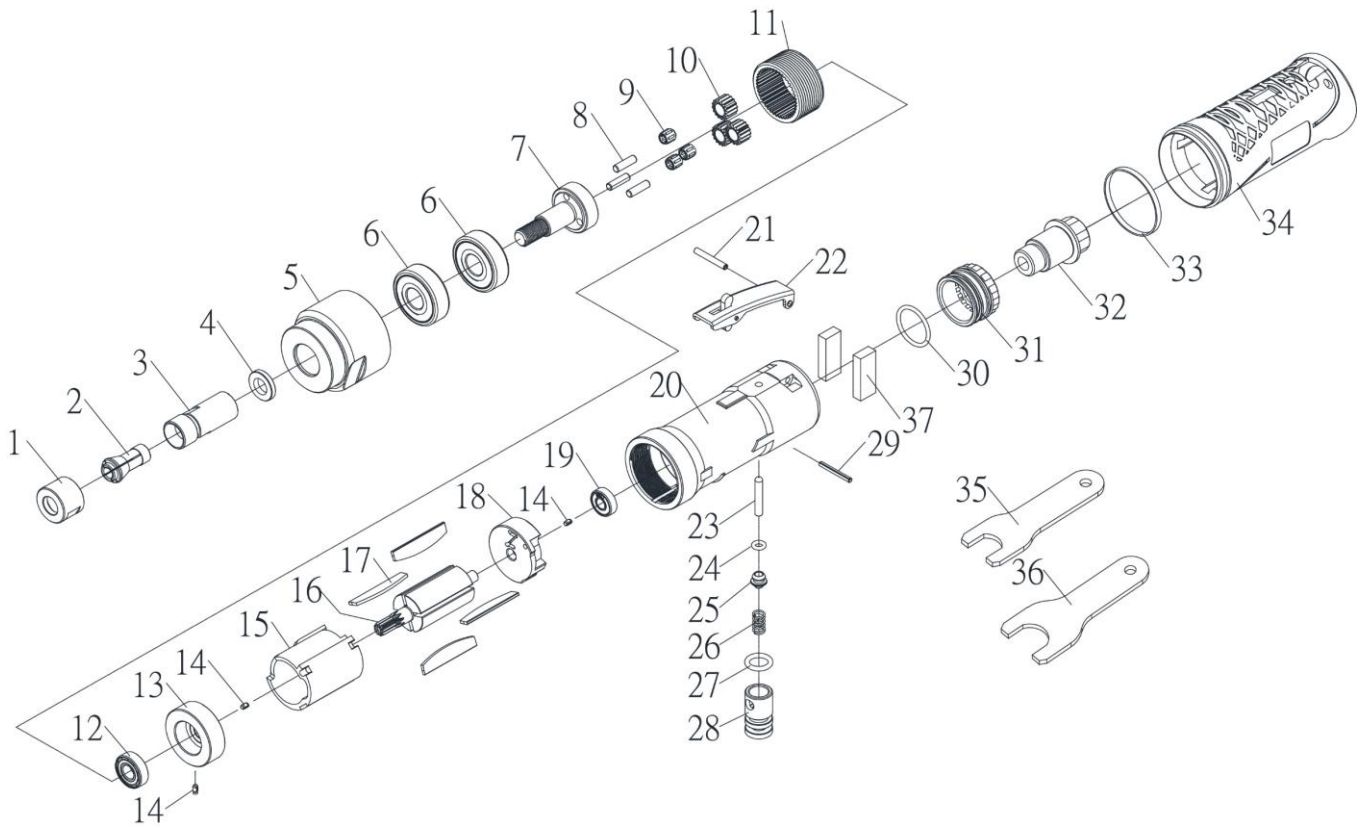


HEAVY DUTY LOW SPEED AIR DIE GRINDER



6243A

INDEX NO.	DESCRIPTION	REQ'D NO.	INDEX NO.	DESCRIPTION	REQ'D NO.
01	Collet Nut	1	19	Ball Bearing	1
02	1/4" Collet	1	20	Motor Housing	1
	6mm Collet		21	Spring Pin	1
03	Spindle	1	22	Safety Lever	1
04	Chuck Spacer	1	23	Valve Shaft	1
05	Bearing Housing	1	24	O-Ring	1
06	Ball Bearing	2	25	Throttle Valve	1
07	Planet Carrier	1	26	Valve Spring	1
08	Needle Spindle	3	27	O-Ring	1
09	Needle Bearing	3	28	Air Regulator	1
10	Pinion	3	29	Spring Pin	1
11	Internal Gear	1	30	O-Ring	1
12	Ball Bearing	1	31	Exhaust Sleeve	1
13	Front End Plate	1	32	Inlet Bushing	1
14	Spring Pin	3	33	Rubber Band	1
15	Cylinder	1	34	Housing Cover	1
16	Rotor	1	35	#14mm Spanner	1
17	Rotor Blade	4	36	#19mm Spanner	1
18	Rear End Plate	1	37	Muffler	2

0000.00.00

2015.01.21 2016.09.20