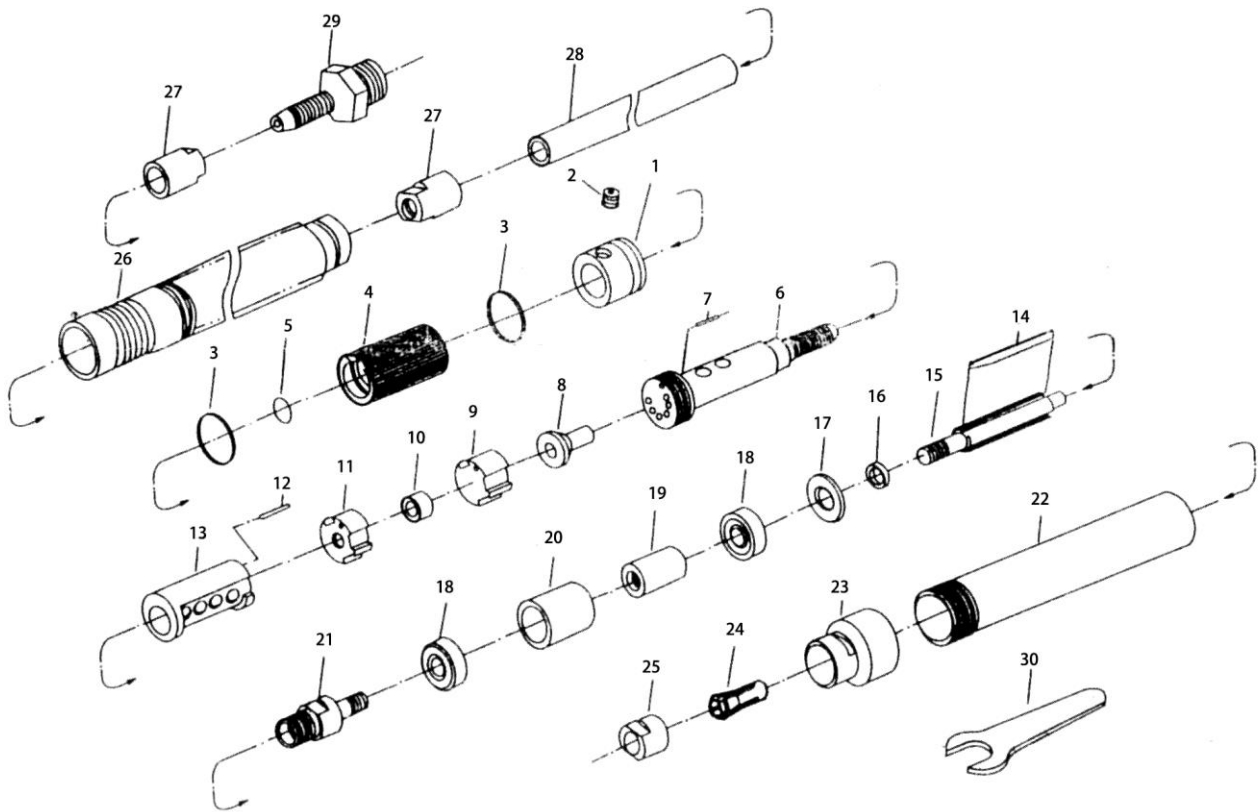


# HEAVY DUTY HIGH SPEED MICRO AIR DIE GRINDER



6254

| INDEX NO. | DESCRIPTION     | REQ'D NO. | INDEX NO. | DESCRIPTION       | REQ'D NO. |
|-----------|-----------------|-----------|-----------|-------------------|-----------|
| 01        | Rear End Holder | 1         | 17        | Lateral Disc      | 1         |
| 02        | Screw           | 1         | 18        | Ball Bearing      | 2         |
| 03        | O-Ring          | 2         | 19        | Interior Bearing  | 1         |
| 04        | Sliding Knob    | 1         |           | Retainer Bushing  |           |
| 05        | O-Ring          | 1         | 20        | Outer Bearing     | 1         |
| 06        | Hose Plug       | 1         |           | Retainer Bushing  |           |
| 07        | Pin             | 1         | 21        | Collet Foundation | 1         |
| 08        | Plug            | 1         | 22        | Sleeve            | 1         |
| 09        | Intake Plate    | 1         | 23        | Front Cover       | 1         |
| 10        | Ball Bearing    | 1         | 24        | Collet            | 1         |
| 11        | Bearing Plate   | 1         | 25        | Clamping Nut      | 1         |
| 12        | Pin             | 1         | 26        | Muffler Tube      | 1         |
| 13        | Cylinder        | 1         | 27        | Hose Ring         | 2         |
| 14        | Rotor Blade     | 4         | 28        | Air Hose          | 1         |
| 15        | Rotor           | 1         | 29        | Inlet Connector   | 1         |
| 16        | Spacer          | 1         | 30        | Spanner (9mm)     | 2         |

0000.00.00

2004.02.02 2017.06.13