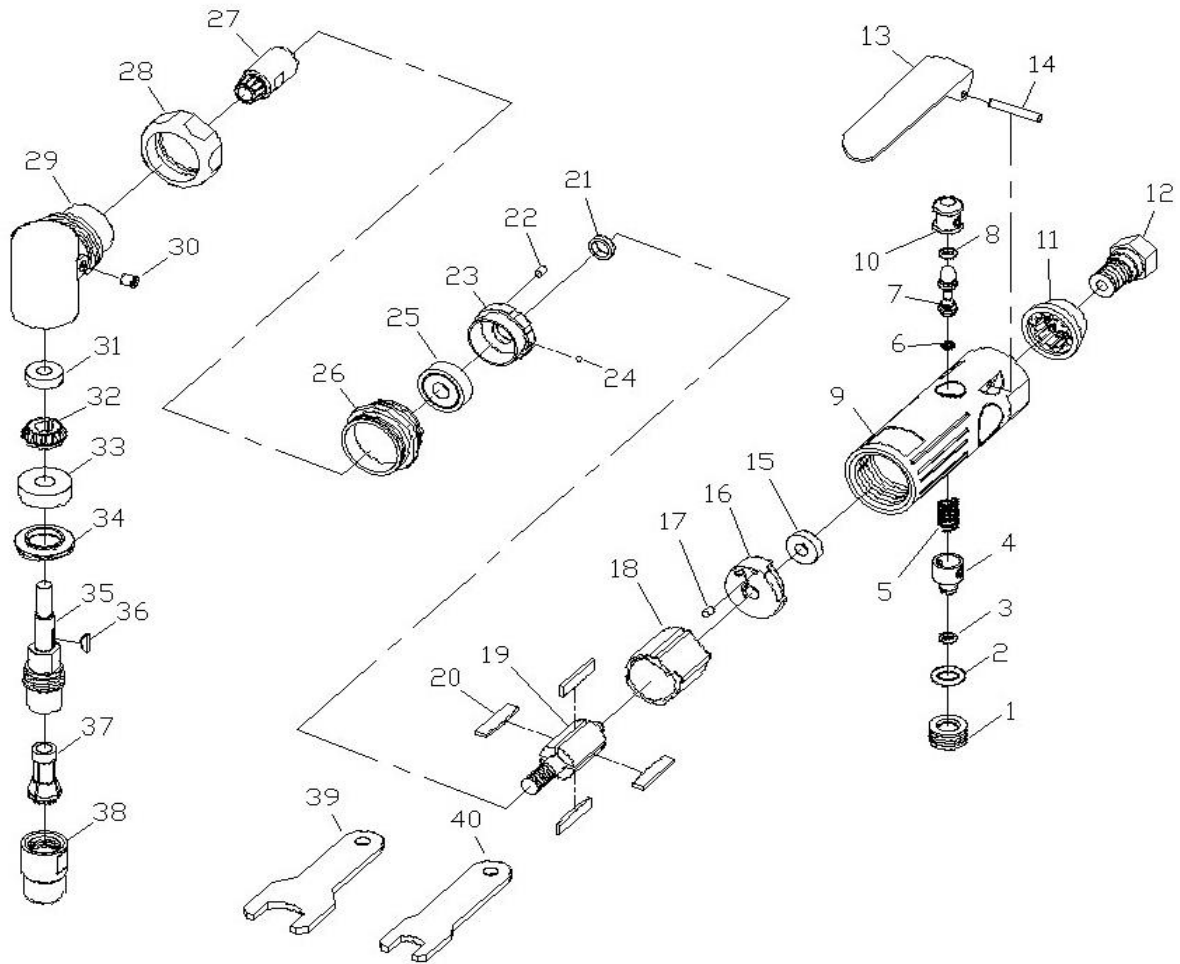


HEAVY DUTY AIR ANGLE DIE GRINDER

氣動角向砂輪機



635-A

INDEX NO.	DESCRIPTION	中文名稱	REQ'D NO.	INDEX NO.	DESCRIPTION	中文名稱	REQ'D NO.
01	Plug Screw	進氣閥帽	1	21	Rotor Collar	轉子軸環	1
02	O-Ring	O型環	1	22	Locating Pin	定位銷	1
03	O-Ring	O型環	1	23	Bearing Plate	前端板	1
04	Air Regulator	調整鈕	1	24	Ball	鋼珠	1
05	Valve Spring	彈簧	1	25	Bearing	滾珠軸承	1
06	O-Ring	O型環	1	26	Lock Ring	鎖環	1
07	Valve Stem	進氣頂桿	1	27	Piston Gear	傳動齒輪	1
08	O-Ring	O型環	1	28	Cap	手柄前蓋	1
09	Motor Housing	手柄	1	29	Angle Head Housing	彎頭座	1
10	Valve Bushing	節流缸	1	30	Grease Cap	黃油嘴	1
11	Muffler	消音罩	1	31	Bearing	滾珠軸承	1
12	Air Inlet	1/4"進氣口	1	32	Spindle Gear	傘形齒輪	1
13	Lever	壓板板機	1	33	Bearing	滾珠軸承	1
14	Lever Pin	板機固定銷	1	34	Clamp Nut	螺帽夾	1
15	Bearing	滾珠軸承	1	35	Spindle	主軸	1
16	Bearing Plate	後端板	1	36	Woodruff Key	半圓鍵	1
17	Locating Pin	定位銷	1	37	Collet	筒夾	1
18	Cylinder	氣缸	1	38	Collet Nut	筒夾螺帽	1
19	Rotor	轉子	1	39	Wrench (17mm)	板手(17mm)	1
20	Rotor Blade	葉片	4	40	Wrench (11mm)	板手(11mm)	1

0000.00.00

2008.09.22 2013.07.26