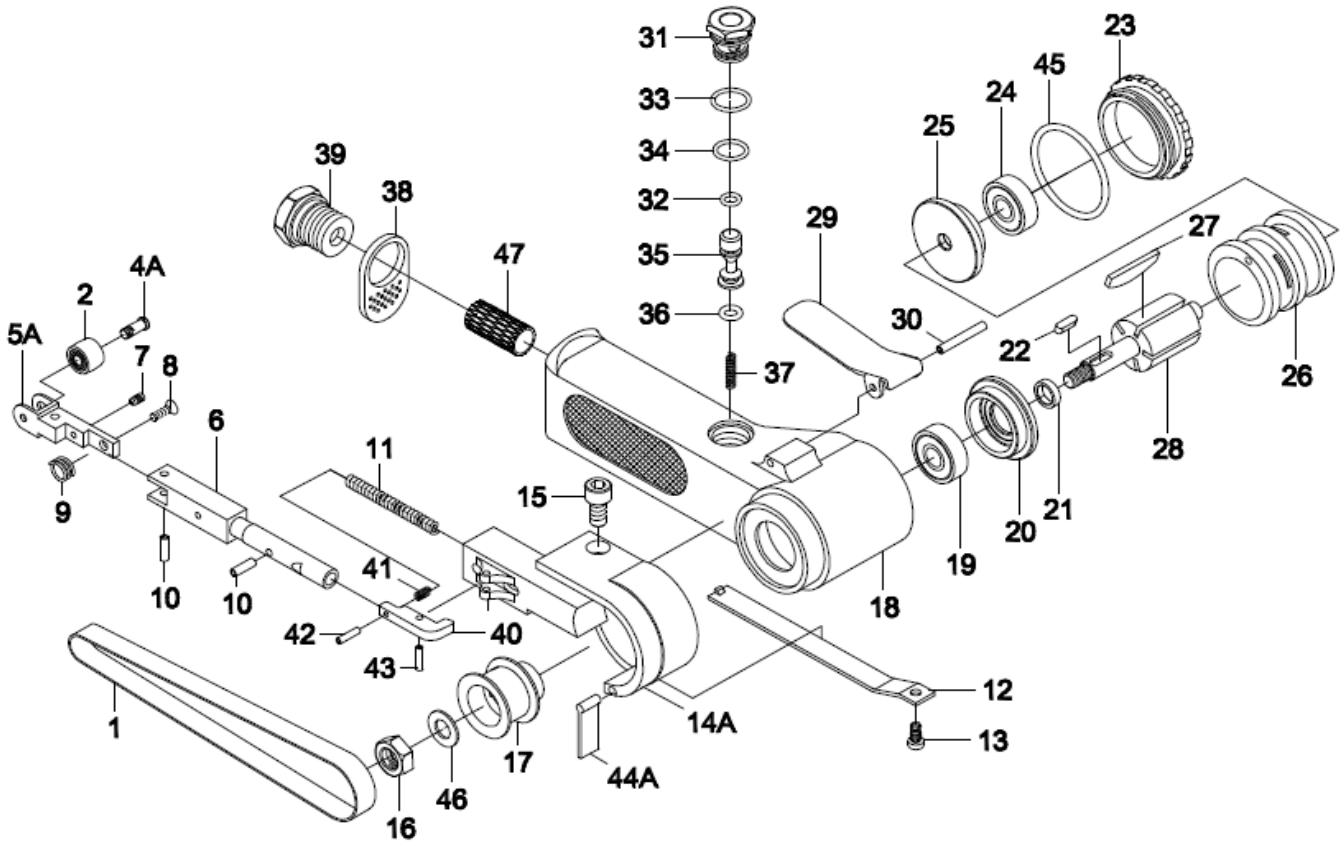


HEAVY DUTY AIR BELT SANDER



6402

INDEX NO.	DESCRIPTION	REQ'D NO.	INDEX NO.	DESCRIPTION	REQ'D NO.
01	Grinding Belt	1	25	End Plate A	1
02	Idle Pulley 10 Sub Assembly	1	26	Cylinder	1
04A	Idle Pulley Shaft 10	1	27	Blade (5pcs/set)	5
05A	Bracket 10	1	28	Rotor	1
06	Tension Bar 10	1	29	Throttle Lever	1
07	Screw	1	30	Lever Pin	1
08	Screw	1	31	Valve Body	1
09	Spring	1	32	O-Ring	1
10	Spring Pin	2	33	O-Ring	1
11	Spring	1	34	O-Ring	1
12	Shoe 10	1	35	Valve Stem	1
13	Screw	1	36	O-Ring	1
14A	Guard Sub Assembly A	1	37	Valve Spring	1
15	Hexagon Socket Head Bolt	1	38	Deflector	1
16	Hexagon Nut M6	1	39	Air Inlet	1
17	Drive Pulley	1	40	Tension Bar	1
18	Housing	1	41	Spring	1
19	Ball Bearing 628zz	1	42	Lever Pin	1
20	End Plate B	1	43	Lever Pin	1
21	Spacer	1	44A	Dust Cover	1
22	Sunk Key	1	45	O-Ring	1
23	Cap	1	46	Washer	1
24	Ball Bearing 607zz	1	47	Wool	1

2010.08.10

2006.10.18 2010.08.23