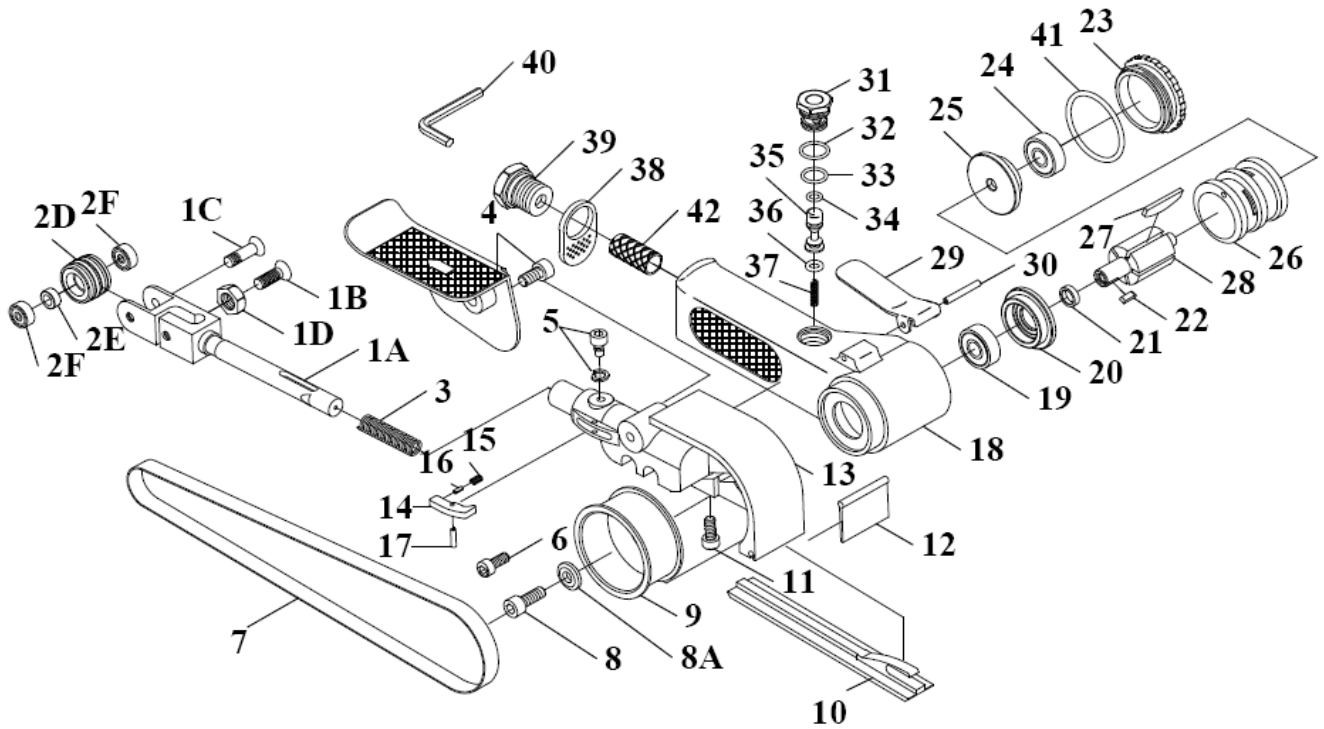


HEAVY DUTY AIR BELT SANDER

氣動砂帶磨光機



6403

INDEX NO.	DESCRIPTION	中文名稱	REQ'D NO.	INDEX NO.	DESCRIPTION	中文名稱	REQ'D NO.
01A	Idle Pulley Bracket Sub Assembly	惰輪支架組	1	19	Ball Bearing	滾珠軸承	1
01B	Set Screw	螺絲	1	20	End Plate B	端板B	1
01C	Screw	螺絲	1	21	Spacer	間隔片	1
01D	Net	螺帽	1	22	Sunk Key	鍵	1
2D	Idler Pulley	惰輪	1	23	Cap	馬達外蓋	1
2E	Washer	墊圈	1	24	Ball Bearing	滾珠軸承	1
2F	Ball Bearing	滾珠軸承	2	25	End Plate A	端板A	1
03	Spring	彈簧	1	26	Cylinder	氣缸	1
04	Finger Pad Assembly	指墊組	1	27	Blade (5pcs/set)	葉片(5pcs/set)	5
05	Key Bolt Assembly	螺栓組	1	28	Rotor	轉子	1
06	Hexagon Socket Head Bolt	六角頭螺栓	1	29	Throttle Lever	壓板板機	1
07	Grinding Belt	砂布帶	1	30	Lever Pin	板機固定銷	1
08	Hexagon Socket Head Bolt	六角頭螺栓	1	31	Valve Body	節流缸	1
08A	Washer	墊圈	1	32	O-Ring	O型環	1
09	Drive Pulley	傳動輪	1	33	O-Ring	O型環	1
10	Flat Shoe	底板	1	34	O-Ring	O型環	1
11	Hexagon Socket Head Bolt	六角頭螺栓	1	35	Valve Stem	進氣頂桿	1
12	Dust Cover	防塵墊	1	36	O-Ring	O型環	1
13	Guard Body	護罩座	1	37	Valve Spring	彈簧	1
14	Tension Bar	拉力桿	1	38	Deflector	消音罩	1
15	Spring	彈簧	1	39	Air Inlet	1/4"進氣口	1
16	Lever Pin	銷	1	40	Hex. Wrench 4 mm	4mm六角板手	1
17	Lever Pin	銷	1	41	O-Ring	O型環	1
18	Housing	手柄	1	42	Wool	消音棉	1

0000.00.00

2010.08.21 2016.09.29