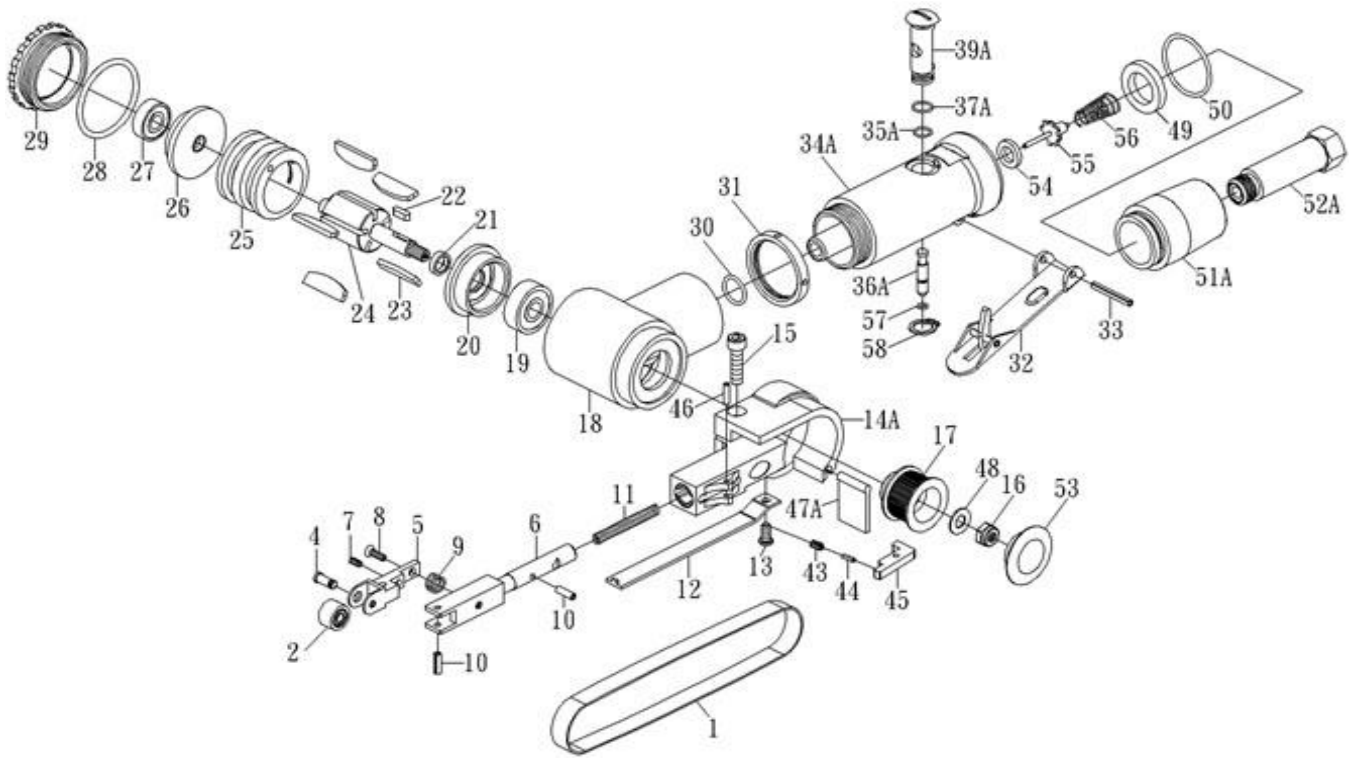


HEAVY DUTY AIR BELT SANDER



6411-X1L

INDEX NO.	DESCRIPTION	REQ'D NO.	INDEX NO.	DESCRIPTION	REQ'D NO.
01	Grinding Belt (#80)	1	28	O-Ring	1
	Grinding Belt (#100)	1	29	Motor Nut	1
	Grinding Belt (#120)	1	30	O-Ring	1
02	Idle Pulley 10 Sub Assembly	1 set	31	Lock Nut	1
04	Idle Pulley Shaft 10	1	32	Throttle Lever	1
05	Bracket 10	1	33	Lever Pin	1
06	Tension Bar 10	1	34A	Housing	1
07	Set Screw	1	35A	O-Ring	1
08	Screw	1	36A	Valve Stem	1
09	Spring	1	37A	O-Ring	1
10	Spring Pin	2	39A	Air Controller	1
11	Spring	1	43	Spring	1
12	Shoe 10	1	44	Lever Pin	1
13	Screw	1	45	Tension Bar	1
14A	Guard Sub Assembly A	1	46	Lever Pin	1
15	Hexagon Socket Head Bolt	1	47A	Dust Cover	1
16	Hexagon Nut	1	48	Washer	1
17	Drive Pulley	1	49	Silencer	1
18	Housing	1	50	O-Ring	1
19	Ball Bearing	1	51A	Air Deflector	1
20	Front End Plate	1	52A	Air Inlet	1
21	Spacer	1	53	Cap	1
22	Sunk Key	1	54	Seal	1
23	Rotor Blade	5	55	Valve Stem	1
24	Rotor	1	56	Spring	1
25	Cylinder	1	57	O-Ring	1
26	Rear End Plate	1	58	Snap Ring	1
27	Ball Bearing	1			

0000.00.00

2013.10.18 2014.08.15