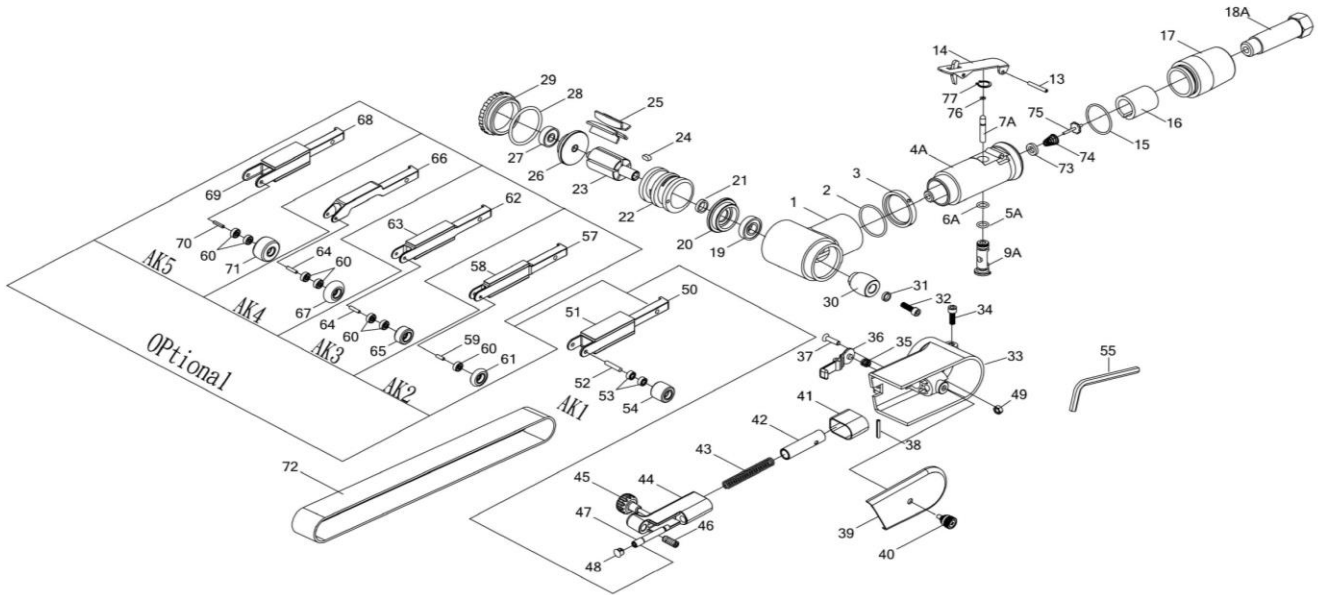


HEAVY DUTY AIR BELT SANDER



6413

| INDEX NO. | DESCRIPTION | REQ'D NO. | INDEX NO. | DESCRIPTION | REQ'D NO. |
|-----------|----------------|-----------|-----------|-----------------------------------|-----------|
| 01 | Housing | 1 | 44 | Tension Arm | 1 |
| 02 | O-Ring | 1 | 45 | Knob | 1 |
| 03 | Lock Nut | 1 | 46 | Spring | 1 |
| 04A | Housing | 1 | 47 | Guide Post | 1 |
| 05A | O-Ring | 1 | 48 | Plug | 1 |
| 06A | O-Ring | 1 | 49 | Hex.Nut | 1 |
| 07A | Valve Stem | 1 | 50 | Contact Arm (20×457mm) | 1 |
| 09A | Air Controller | 1 | 51 | Platen Pad | 1 |
| 13 | Spring Pin | 1 | 52 | Pin | 1 |
| 14 | Throttle Lever | 1 | 53 | Bearing | 2 |
| 15 | O-Ring | 1 | 54 | Idle Pulley (20mm) | 1 |
| 16 | Muffler | 1 | 55 | Hex. Key Wrench (4mm) | 1 |
| 17 | Air Deflector | 1 | 57 | Contact Arm (6×457mm) (Optional) | 1 |
| 18A | Air Inlet | 1 | 58 | Platen Pad (Optional) | 1 |
| 19 | Bearing | 1 | 59 | Pin (Optional) | 1 |
| 20 | Front Plate | 1 | 60 | Bearing (Optional) | 7 |
| 21 | Spacer | 1 | 61 | Idle Pulley (6mm) (Optional) | 1 |
| 22 | Cylinder | 1 | 62 | Contact Arm (10×457mm) (Optional) | 1 |
| 23 | Rotor | 1 | 63 | Platen Pad (Optional) | 1 |
| 24 | Key | 1 | 64 | Pin (Optional) | 2 |
| 25 | Rotor Blade | 5 | 65 | Idle Pulley (10mm) (Optional) | 1 |
| 26 | Rear Plate | 1 | 66 | Contact Arm (10×457mm) (Optional) | 1 |
| 27 | Bearing | 1 | 67 | Idle Pulley (10mm) (Optional) | 1 |
| 28 | O-Ring | 1 | 68 | Contact Arm (13×457mm) (Optional) | 1 |
| 29 | Motor Nut | 1 | 69 | Platen Pad (Optional) | 1 |
| 30 | Pulley | 1 | 70 | Pin (Optional) | 1 |
| 31 | Washer | 1 | 71 | Idle Pulley (13mm) (Optional) | 1 |
| 32 | Screw | 1 | 72 | Sander Belt (20×457mm)#80 | 1 |
| 33 | Guard Body | 1 | 73 | Seal | 1 |
| 34 | Screw | 1 | 74 | Spring | 1 |
| 35 | Spring | 1 | 75 | Valve Stem | 1 |
| 36 | Latch | 1 | 76 | O-Ring | 1 |
| 37 | Screw | 1 | 77 | Snap Ring | 1 |
| 38 | Spring Pin | 1 | TK1 | 50, 51, 52, 53×2, 54 (Optional) | 1 set |
| 39 | Guard | 1 | TK2 | 57, 58, 59, 60, 61 (Optional) | 1 set |
| 40 | Screw | 1 | TK3 | 60×2, 62, 63, 64, 65 (Optional) | 1 set |
| 41 | Dust Cover | 1 | TK4 | 60×2, 64, 66, 67 (Optional) | 1 set |
| 42 | Support Rod | 1 | TK5 | 60×2, 68, 69, 70, 71 (Optional) | 1 set |
| 43 | Spring | 1 | | | |

0000.00.00

2012.06.18 2014.08.15