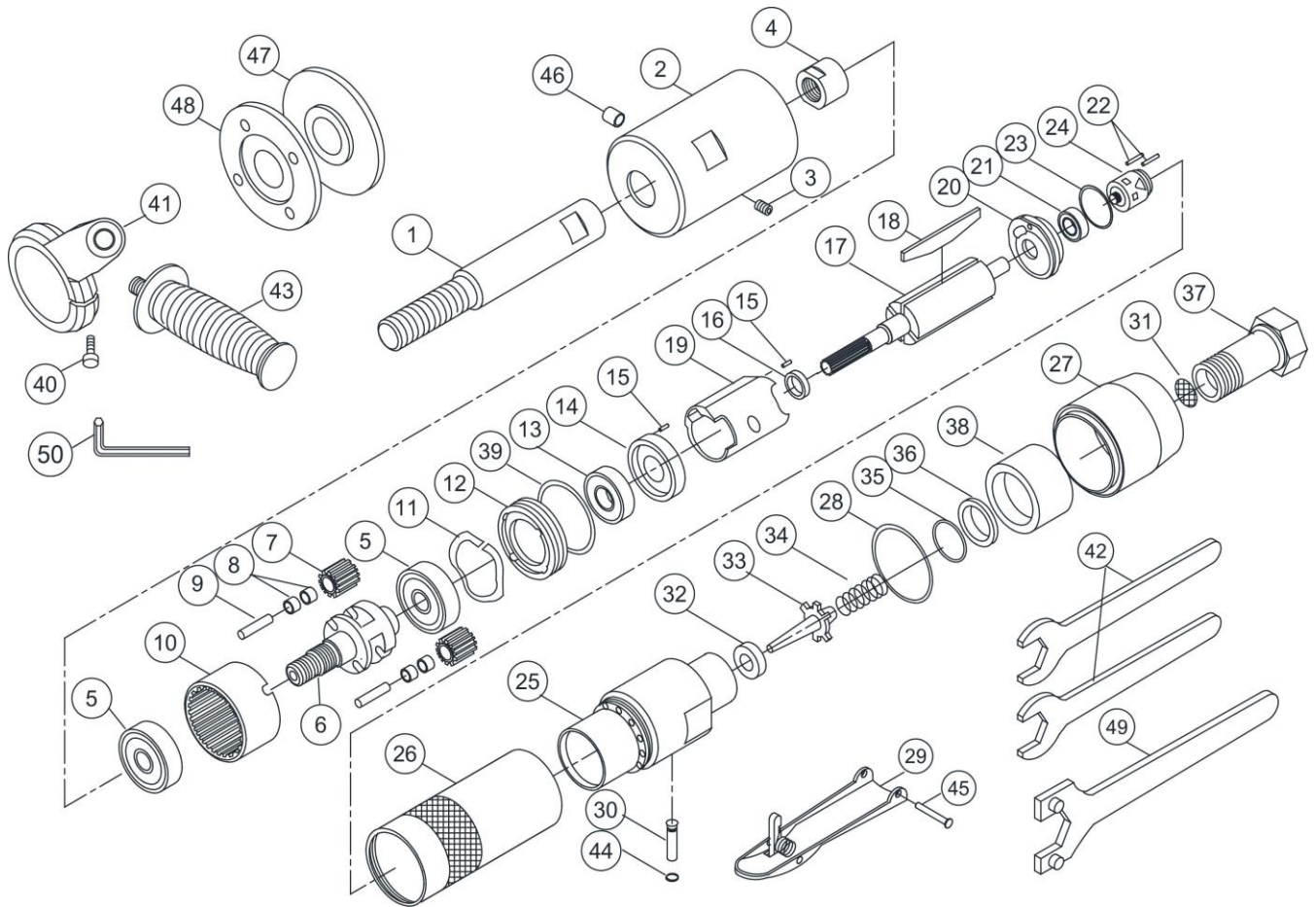


SUPER DUTY AIR ABRASIVE FINISHING TOOL W/GOVERNOR



6424

INDEX NO.	DESCRIPTION	REQ'D NO.	INDEX NO.	DESCRIPTION	REQ'D NO.
01	Arbor (5/8"-11) 146L	1	26	Housing	1
02	Planetary Gear Casing	1	27	Rear Silencer	1
03	Set Screw	1	28	O-Ring	1
04	Spindle Nut	1	29	Safety Lever Assembly	1
05	Bearing	2	30	Valve Stem	1
06	Gear Complete 1/2"-20	1	31	Screens	1
07	Planetary Gear	2	32	Valve Seat	1
08	Needle Bearing	4	33	Tip Valve	1
09	Gear Shaft	2	34	Spring	1
10	Ring Gear	1	35	O-Ring	1
11	Wave Spring	1	36	Spacer	1
12	Adapter	1	37	Inlet	1
13	Bearing	1	38	Felt	1
14	Front Bearing Plate	1	39	O-Ring	1
15	Pin	2	40	Screw	1
16	Spacer	1	41	Clamp	1
17	Rotor	1	42	19mm Spanner (Cap Nut)	2
18	Blade	4	43	Side Handle	1
19	Cylinder	1	44	O-Ring	1
20	Rear Bearing Plate	1	45	Pin	1
21	Bearing	1	46	Grease Fitting	1
22	Pin	2	47	Rear Flange	1
23	Gasket	1	48	Front Flange	1
24	Governor Assembly	1	49	Flange Nut Wrench	1
25	Throttle Housing	1	50	4mm Hex. Wrench	1

0000.00.00
2015.09.17