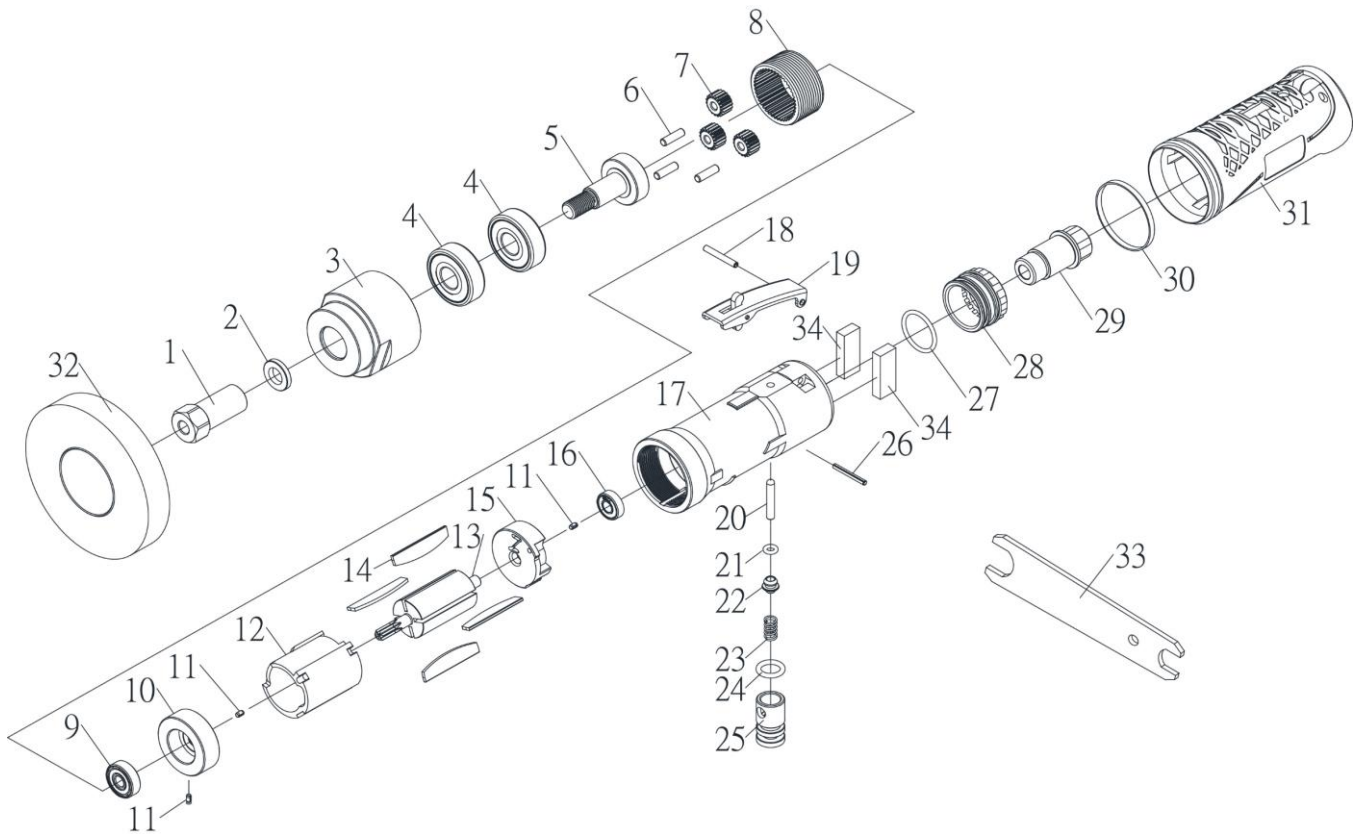


# HEAVY DUTY AIR STRIPPING TOOL



6442

INDEX NO.	DESCRIPTION	REQ'D NO.	INDEX NO.	DESCRIPTION	REQ'D NO.
01	Spindle	1	18	Spring Pin	1
02	Chuck Spacer	1	19	Safety Lever	1
03	Bearing Housing	1	20	Valve Shaft	1
04	Ball Bearing	2	21	O-Ring	1
05	Planet Carrier	1	22	Throttle Valve	1
06	Needle Spindle	3	23	Valve Spring	1
07	Planet Gear	3	24	O-Ring	1
08	Internal Gear	1	25	Air Regulator	1
09	Ball Bearing	1	26	Spring Pin	1
10	Front End Plate	1	27	O-Ring	1
11	Spring Pin	3	28	Exhaust Sleeve	1
12	Cylinder	1	29	Inlet Bushing	1
13	Rotor	1	30	Rubber Band	1
14	Rotor Blade	4	31	Housing Cover	1
15	Rear End Plate	1	32	Stripe Eliminator Wheel	1
16	Ball Bearing	1	33	#17mm Spanner	1
17	Motor Housing	1	34	Muffler	2

0000.00.00

2015.01.21 2016.10.21