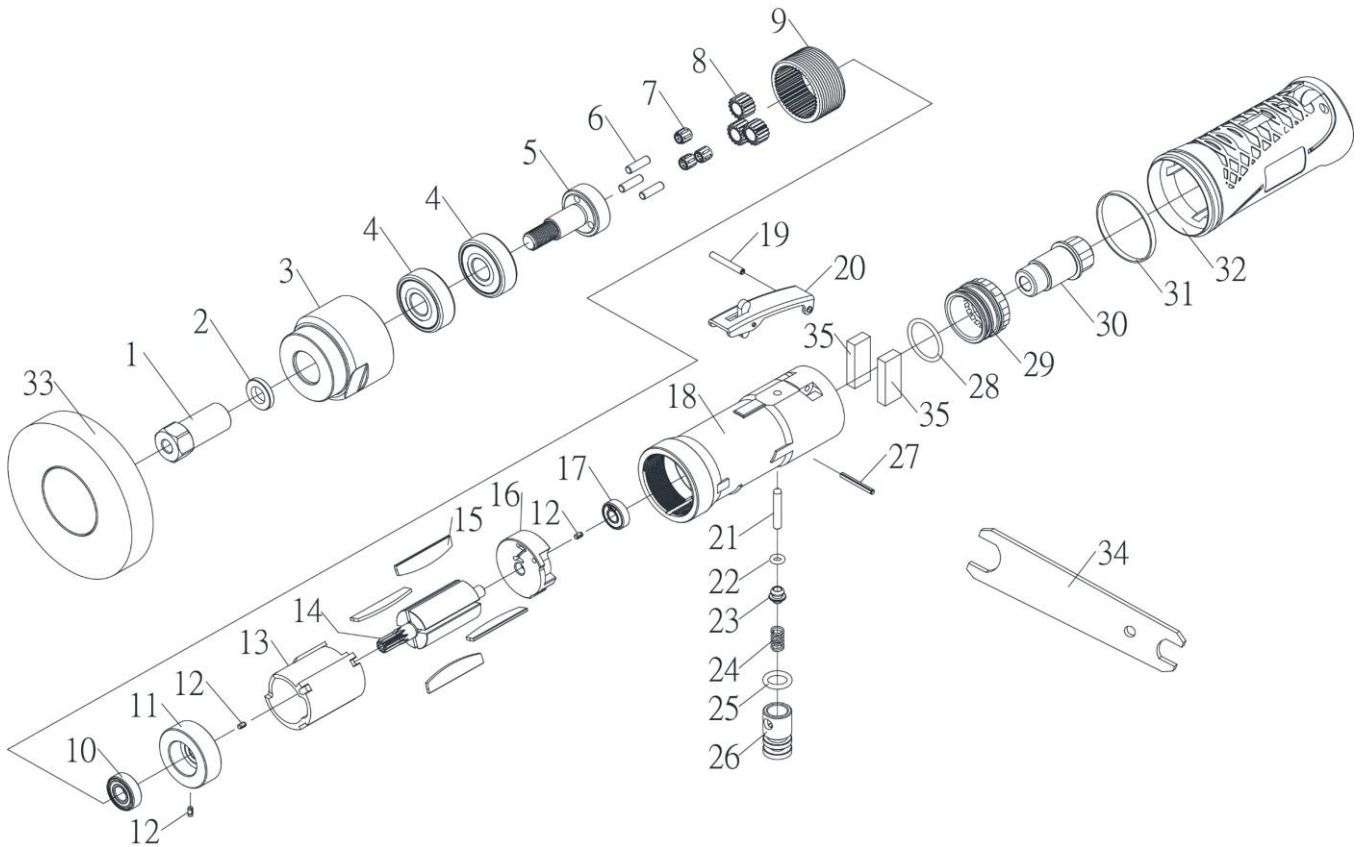


HEAVY DUTY AIR STRIPPING TOOL



6442A

INDEX NO.	DESCRIPTION	REQ'D NO.	INDEX NO.	DESCRIPTION	REQ'D NO.
01	Spindle	1	19	Spring Pin	1
02	Chuck Spacer	1	20	Safety Lever	1
03	Bearing Housing	1	21	Valve Shaft	1
04	Ball Bearing	2	22	O-Ring	1
05	Planet Carrier	1	23	Throttle Valve	1
06	Needle Spindle	3	24	Valve Spring	1
07	Bushing	3	25	O-Ring	1
08	Pinion	3	26	Air Regulator	1
09	Internal Gear	1	27	Spring Pin	1
10	Ball Bearing	1	28	O-Ring	1
11	Front End Plate	1	29	Exhaust Sleeve	1
12	Spring Pin	3	30	Inlet Bushing	1
13	Cylinder	1	31	Rubber Band	1
14	Rotor	1	32	Housing Cover	1
15	Rotor Blade	4	33	Stripe Eliminator Wheel	1
16	Rear End Plate	1	34	#17mm Spanner	1
17	Ball Bearing	1	35	Muffler	2
18	Motor Housing	1			

0000.00.00

2015.01.21 2016.10.21