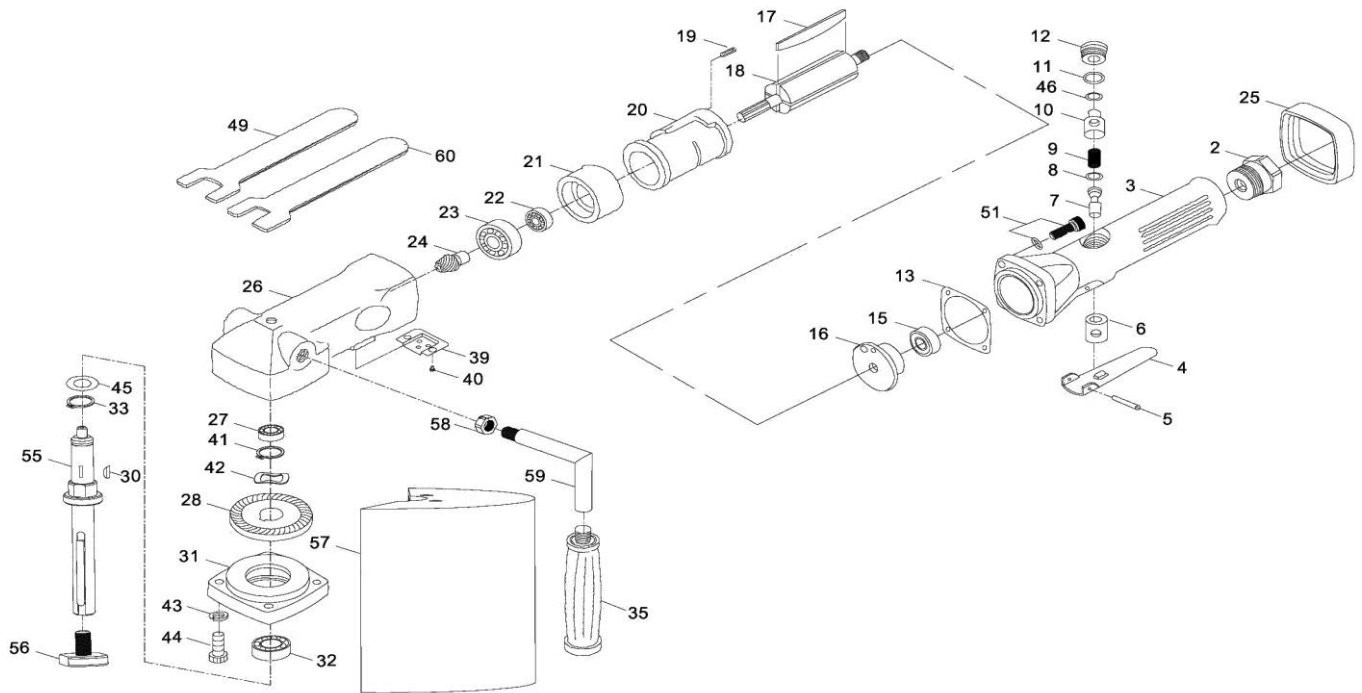


HEAVY DUTY AIR ABRASIVE FINISHING TOOL



6451

| INDEX NO. | DESCRIPTION | REQ'D NO. | INDEX NO. | DESCRIPTION | REQ'D NO. |
|-----------|-----------------|-----------|-----------|-------------------------|-----------|
| 02 | Air Inlet | 1 | 27 | Bearing | 1 |
| 03 | Valve Body | 1 | 28 | Bevel Gear | 1 |
| 04 | Lever | 1 | 30 | Woodruff Key | 1 |
| 05 | Lever Pin | 1 | 31 | Housing Cap | 1 |
| 06 | Valve Bushing | 1 | 32 | Bearing | 1 |
| 07 | Valve Stem | 1 | 33 | Retaining Ring | 1 |
| 08 | O-Ring | 1 | 35 | Handle | 1 |
| 09 | Valve Spring | 1 | 39 | Exhaust Deflector | 1 |
| 10 | Air Controller | 1 | 40 | Exhaust Deflector Screw | 2 |
| 11 | O-Ring | 1 | 41 | Retaining Ring | 1 |
| 12 | Valve Screw | 1 | 42 | Wave Washer | 1 |
| 13 | Gasket | 1 | 43 | Spring Washer | 4 |
| 15 | Bearing | 1 | 44 | Screw | 4 |
| 16 | Rear End Plate | 1 | 45 | Wave Washer | 1 |
| 17 | Rotor Blade | 4 | 46 | O-Ring | 1 |
| 18 | Rotor | 1 | 49 | Wrench | 1 |
| 19 | Cylinder Pin | 1 | 51 | Screw | 4 |
| 20 | Cylinder | 1 | 55 | Spindle | 1 |
| 21 | Front End Plate | 1 | 56 | Lock Screw | 1 |
| 22 | Bearing | 1 | 57 | Shroud | 1 |
| 23 | Bearing | 1 | 58 | Nut | 1 |
| 24 | Pinion | 1 | 59 | Handle Support | 1 |
| 25 | Housing Band | 1 | 60 | Wrench | 1 |
| 26 | Motor Housing | 1 | | | |