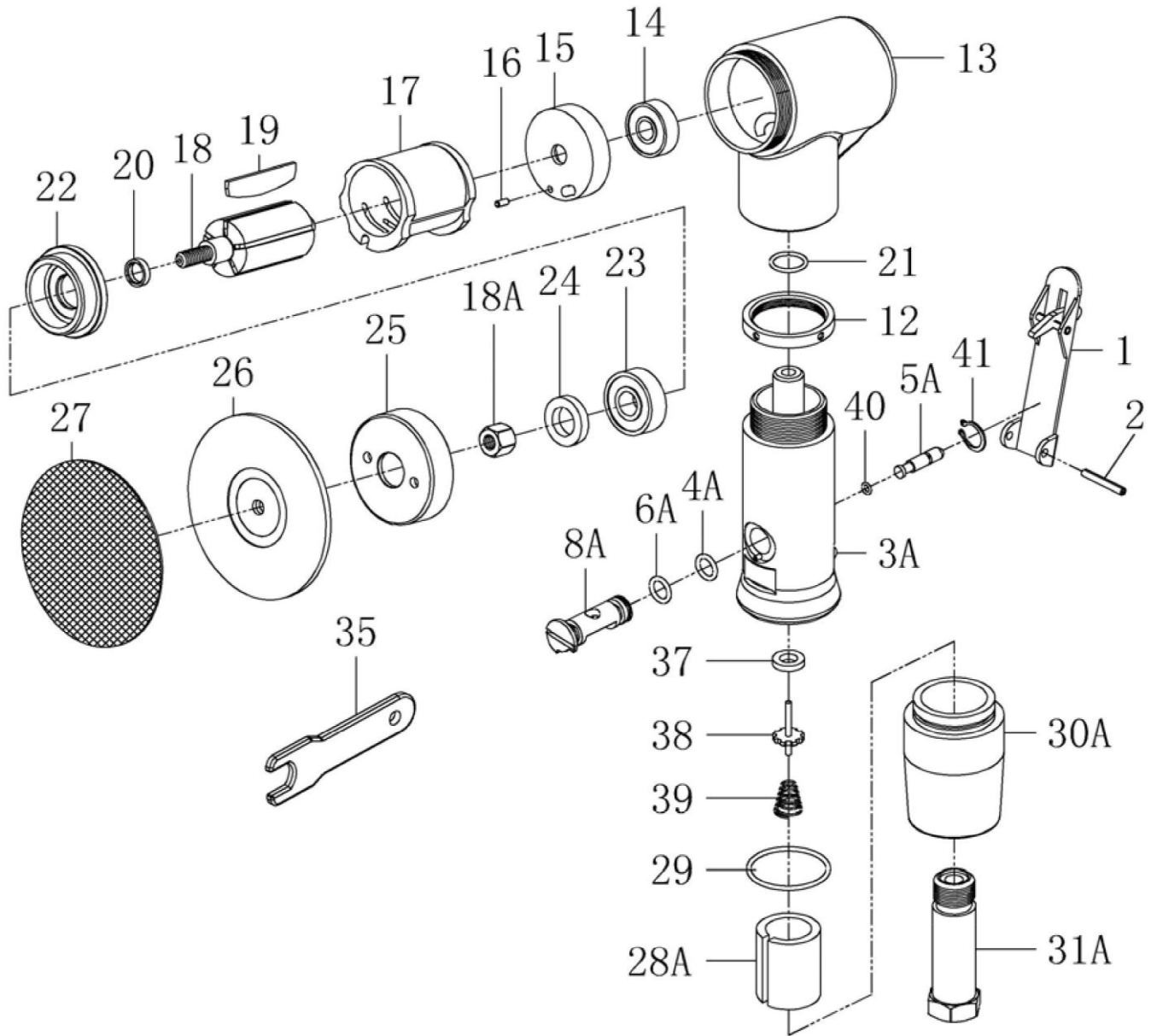


# HEAVY DUTY AIR ANGLE SANDER



6517-XAR3

INDEX NO.	DESCRIPTION	REQ'D NO.	INDEX NO.	DESCRIPTION	REQ'D NO.
01	Throttle Lever	1	21	O-Ring	1
02	Spring Pin	1	22	Front End Plate	1
03A	Housing	1	23	Ball Bearing	1
04A	O-Ring	1	24	Silencer	1
05A	Valve Stem	1	25	Cover	1
06A	O-Ring	1	26	Disc Holder	1
08A	Air Controller	1	27	Sanding Disc	1
12	Lock Nut	1	28A	Silencer	1
13	Housing	1	29	O-Ring	1
14	Ball Bearing	1	30A	Air Deflector	1
15	Rear End Plate	1	31A	Air Inlet	1
16	Pin	1	35	Wrench	1
17	Cylinder	1	37	Seal	1
18	Rotor	1	38	Valve Stem	1
18A	Nut	1	39	Spring	1
19	Rotor Blade	5	40	O-Ring	1
20	Spacer	1	41	Snap Ring	1

0000.00.00

2014.04.14 2016.03.25