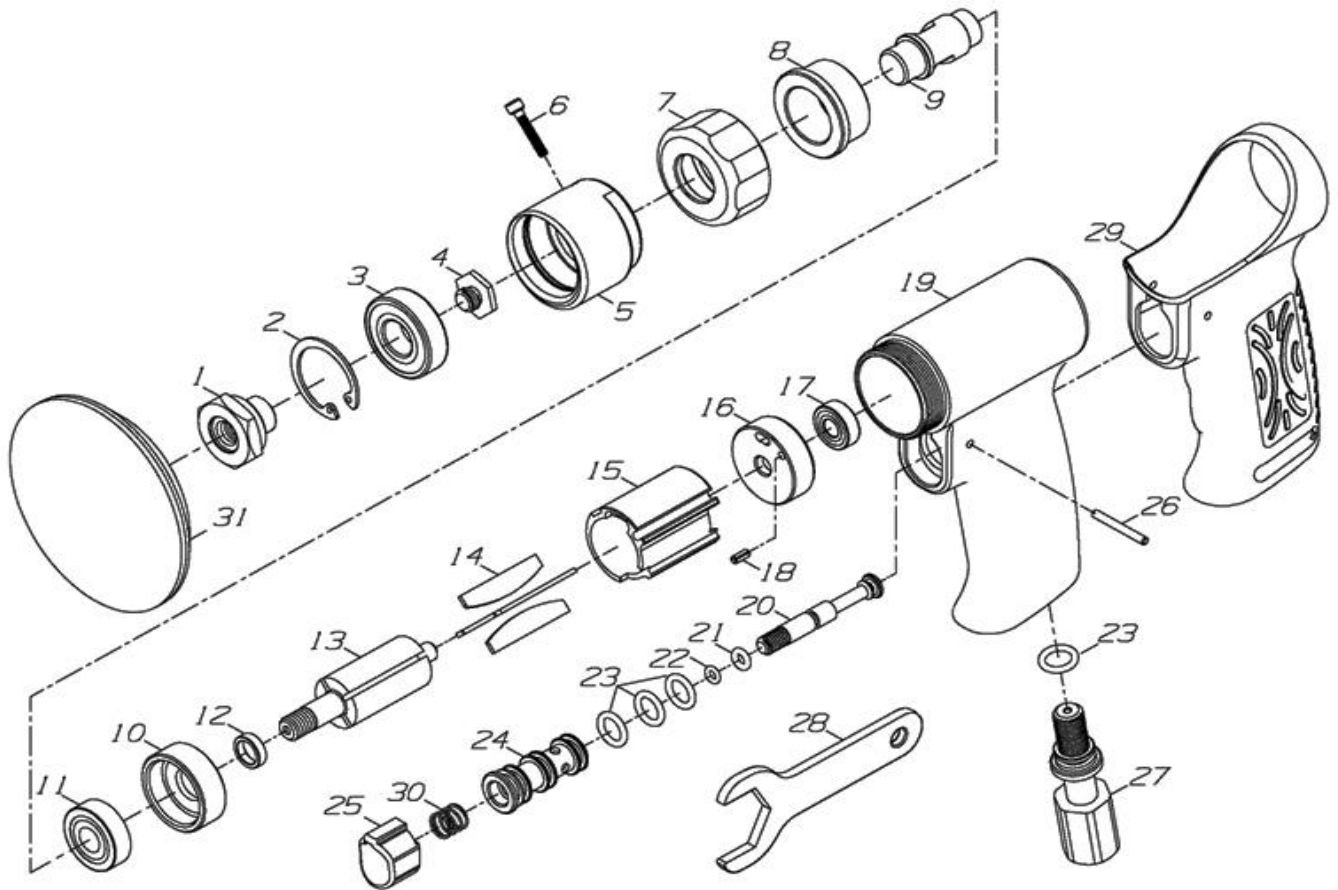


HEAVY DUTY ORBITAL AIR PISTOL SANDER



6517

INDEX NO.	DESCRIPTION	REQ'D NO.	INDEX NO.	DESCRIPTION	REQ'D NO.
01	Spindle	1	17	Ball Bearing	1
02	Retaining Ring	1	18	Pin	1
03	Ball Bearing	1	19	Motor Housing	1
04	Hex. Screw	1	20	Valve Stem	1
05	Balancer	1	21	O-Ring	1
06	Screw	1	22	O-Ring	1
07	Clamp Housing	1	23	O-Ring	4
08	Bushing	1	24	Valve Bushing	1
09	Rotor Shaft	1	25	Trigger	1
10	Front End Plate	1	26	Pin	1
11	Ball Bearing	1	27	Inlet Bushing	1
12	Rotor Collar	1	28	Spanner	1
13	Rotor	1	29	Housing Sleeve	1
14	Vane	4	30	Spring	1
15	Cylinder	1	31	3" Hook Surface Pad	1
16	Rear End Plate	1			

0000.00.00

2013.04.30 20181211