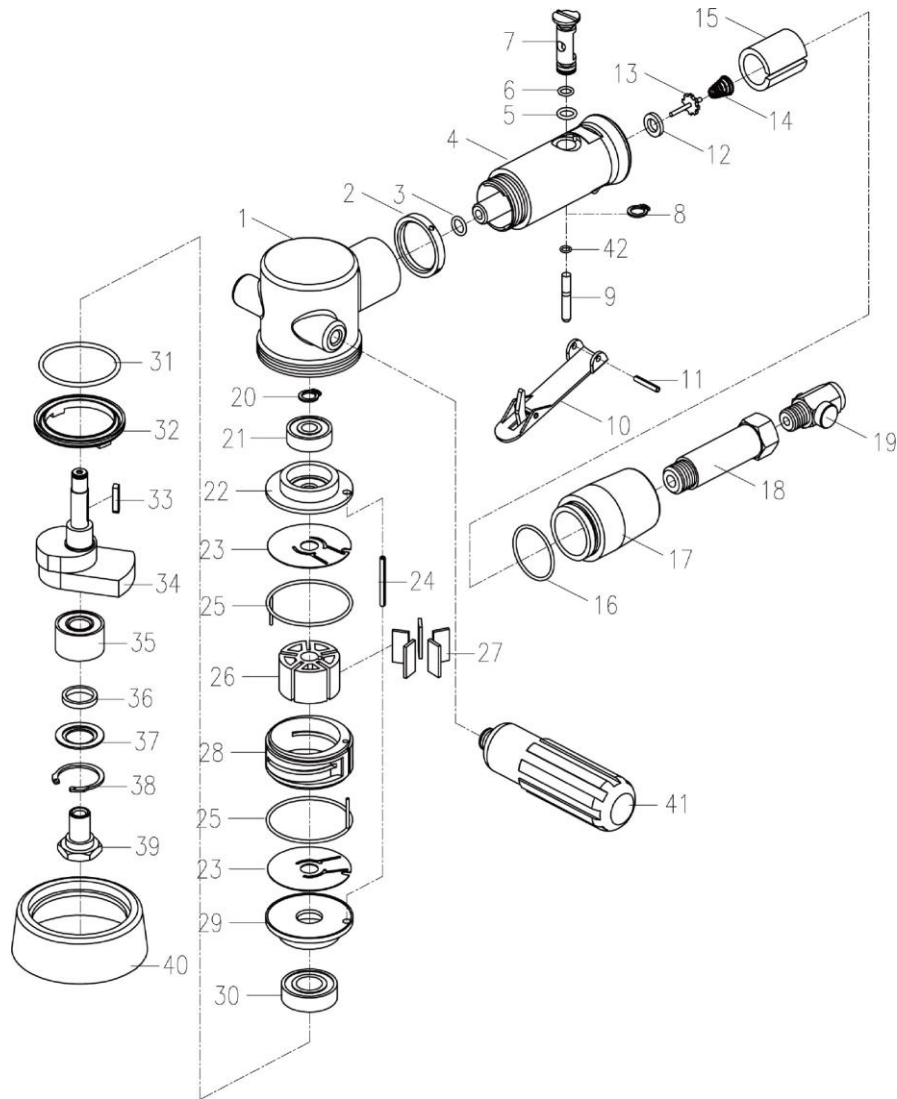


HEAVY DUTY ORBITAL AIR ANGLE SANDER



6519-ABS

INDEX NO.	DESCRIPTION	REQ'D NO.	INDEX NO.	DESCRIPTION	REQ'D NO.
01	Motor Housing	1	22	Rear End Plate	1
02	Lock Nut	1	23	Steel Plate	2
03	O-Ring	1	24	Spring Pin	1
04	Housing	1	25	O-Ring	2
05	O-Ring	1	26	Rotor	1
06	O-Ring	1	27	Rotor Blade	5
07	Air Controller	1	28	Cylinder	1
08	Snap Ring	1	29	Front End Plate	1
09	Valve Stem	1	30	Bearing	1
10	Throttle Lever	1	31	O-Ring	1
11	Spring Pin	1	32	Safe Guard Bushing	1
12	Seal	1	33	Key	1
13	Valve Stem	1	34	Motor Shaft Balancer	1
14	Spring	1	35	Bearing	1
15	Muffler	1	36	Felt	1
16	O-Ring	1	37	Bearing Shield	1
17	Air Deflector	1	38	Snap Ring	1
18	Air Inlet	1	39	Shaft	1
19	Air Regulator	1	40	Shroud	1
20	Snap Ring	1	41	Handle	1
21	Bearing	1	42	O-Ring	1

0000.00.00

2013.06.10