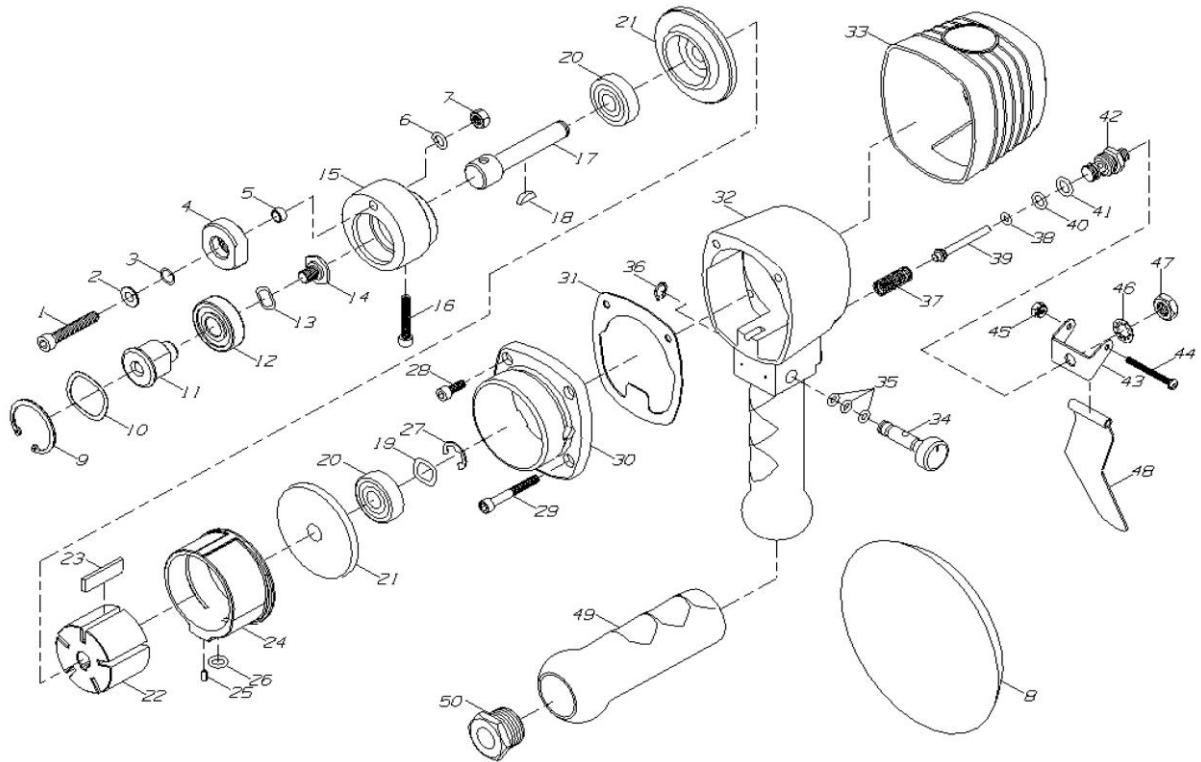


HEAVY DUTY ORBITAL AIR DUAL ACTION SANDER

氣動軌道式打磨機



6612

INDEX NO.	DESCRIPTION	中文名稱	REQ'D NO.	INDEX NO.	DESCRIPTION	中文名稱	REQ'D NO.
01	Screw	螺絲	1	25	Pin	銷	1
02	Flat Washer	墊圈	1	26	O-Ring	O型環	1
03	Wave Washer	墊圈	1	27	Retaining Ring	扣環	1
04	Spindle Lock	主軸定位器	1	28	Screw (S)	螺絲(短)	2
05	Spacer	間隔片	1	29	Screw (L)	螺絲(長)	2
06	Washer	墊圈	1	30	Drive Housing	輪殼外殼	1
07	Hex Nut	螺帽	1	31	Gasket	墊片	1
08	6" Foam Pad (Yellow)(Standard)	6"貼皮襯墊(黃)(標準)	1	32	Motor Housing	手柄	1
	6" Foam Pad (Black)(Option)	6"貼皮襯墊(黑)(選擇)		33	Housing Cover	手柄膠套	1
	6" Hook Surface Pad (Yellow)(Option)	6"黏扣襯墊(黃)(選擇)		34	Air Regulator	調整鈕	1
	6" Hook Surface Pad (Black)(Option)	6"黏扣襯墊(黑)(選擇)		35	O-Ring	O型環	3
09	Retaining Ring	扣環	1	36	Ring Retaining	扣環	1
10	Wave Washer	墊圈	1	37	Spring	彈簧	1
11	Drive Spindle	傳動軸	1	38	O-Ring	O型環	1
12	Ball Bearing	滾珠軸承	1	39	Valve Stem	進氣頂桿	1
13	Wave Washer	墊圈	1	40	O-Ring	O型環	1
14	Screw	螺絲	1	41	O-Ring	O型環	1
15	Orbital Hub	軌道輪殼	1	42	Valve Body	節流閥	1
16	Screw	螺絲	1	43	Bracket	托架	1
17	Rotor Shaft	轉子軸	1	44	Screw	螺絲	1
18	Key	鍵	1	45	Lever Nut	板機螺帽	1
19	Wave Washer	墊圈	1	46	Lock Washer	墊圈	1
20	Ball Bearing	滾珠軸承	2	47	Hex Nut	螺帽	1
21	End Plate	端版	2	48	Throttle Lever(Standard)	壓板板機(標準)	1
22	Rotor	轉子	1		Safety Lever(Optional)	安全板機(選擇)	
23	Rotor Blade	葉片	5	49	Handle Cover	握把膠套	1
24	Cylinder	氣缸	1	50	Inlet Bushing	1/4"進氣口	1

0000.00.00

2007.04.23 2012.10.25 20181204