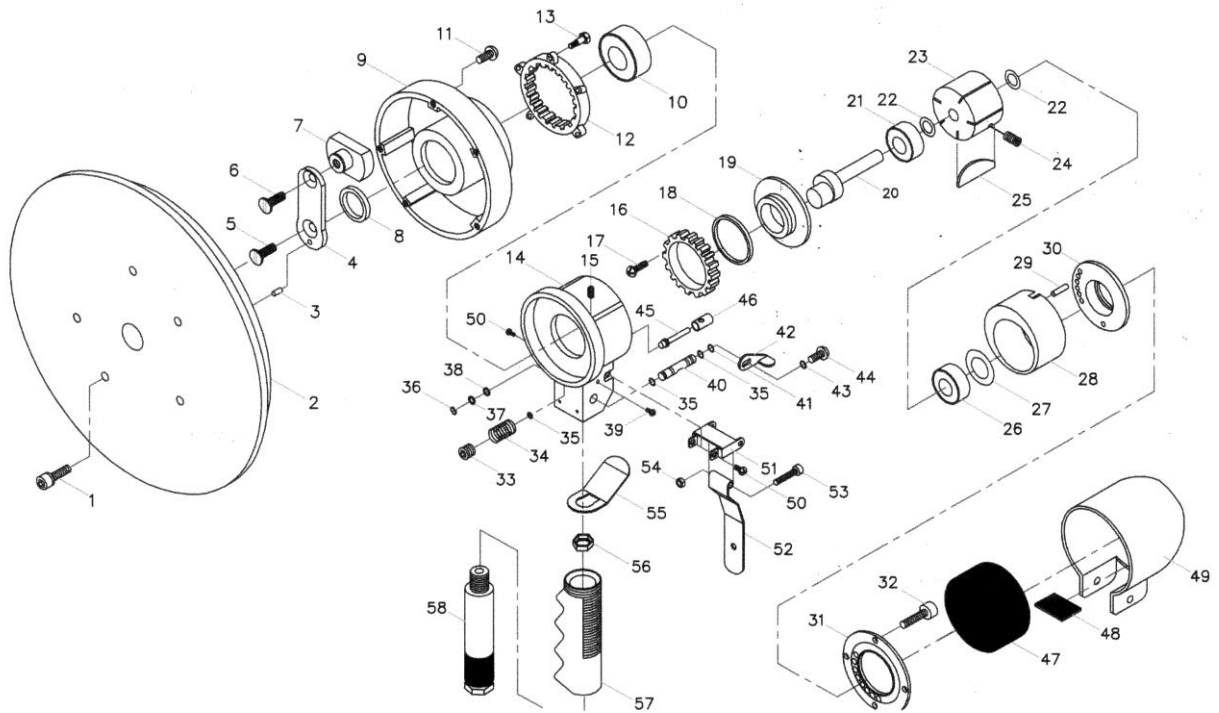


# HEAVY DUTY ORBITAL AIR GEAR-DRIVEN SANDER



6613

INDEX NO.	DESCRIPTION	REQ'D NO.	INDEX NO.	DESCRIPTION	REQ'D NO.
01	Screw	5	30	Front End Plate	1
02	8" Pad	1	31	Motor Cover	1
03	Pin	1	32	Motor Screw	4
04	Balance Shaft	1	33	Screw	1
05	Screw	1	34	Spring	1
06	Screw	1	35	O-Ring	3
07	Balance Nut	1	36	Retaining Ring	1
08	Balance Washer	1	37	Washer	1
09	Aluminum Gear Cover	1	38	Flat Washer	1
10	Ball Bearing	1	39	Screw	2
11	Screw	3	40	Regulator	1
12	Internal Gear	1	41	O-Ring	1
13	Screw	5	42	Regulator Nut	1
14	Motor Housing	1	43	Washer	1
15	Screw	1	44	Screw	1
16	Gear	1	45	Valve Pin	1
17	Screw	3	46	Valve Bushing	1
18	O-Ring	1	47	Muffler	1
19	Rear End Plate	1	48	Muffler Element	1
20	Rotor Shaft	1	49	Plastic Element	1
21	Ball Bearing	1	50	Screw	2
22	Shim	2	51	Bracket	1
23	Rotor	1	52	Lever	1
24	Screw	1	53	Screw	1
25	Rotor Blade	5	54	Nut	1
26	Ball Bearing	1	55	Lever Bracket	1
27	Washer	1	56	Nut	1
28	Cylinder	1	57	Rubber Hose	1
29	Pin	1	58	Steel Handle	1

0000.00.00

2003.07.31 2019.08.15