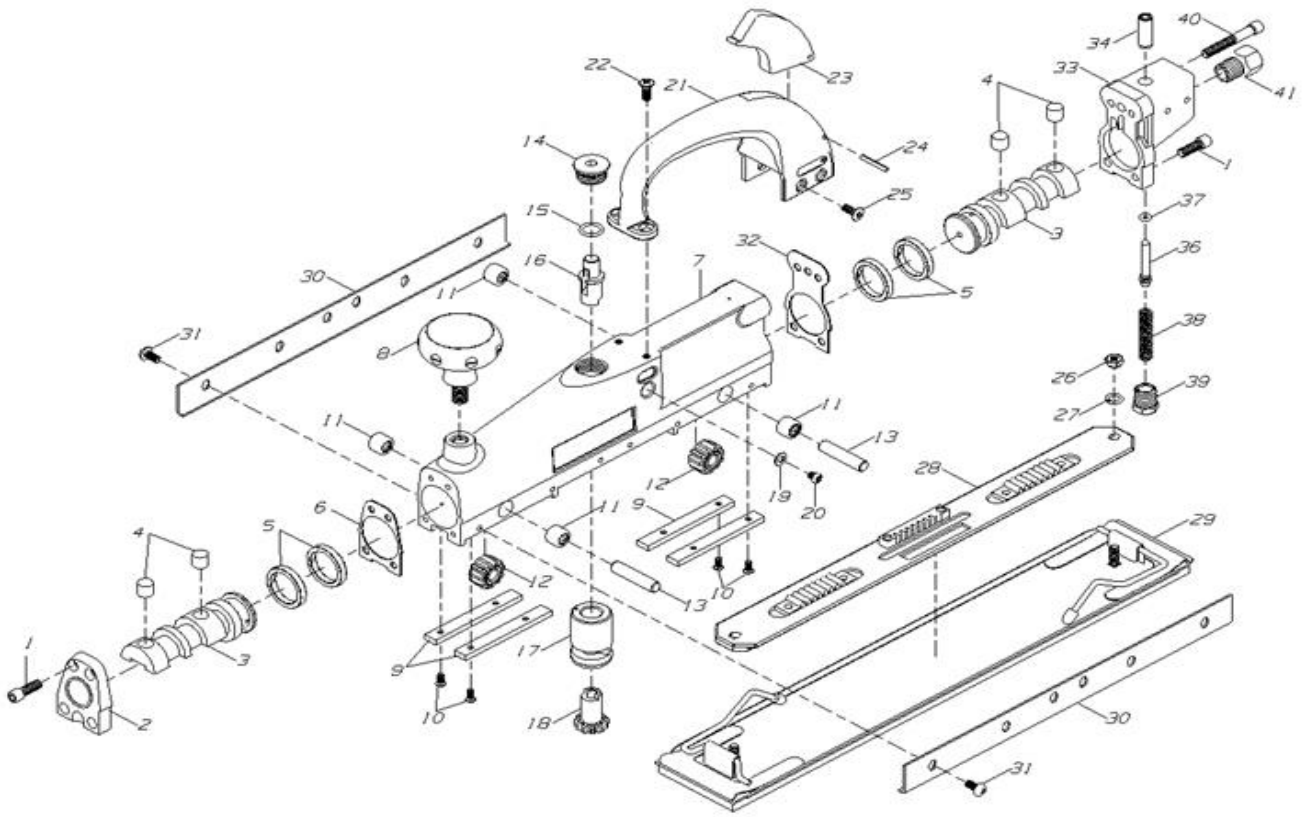


# HEAVY DUTY AIR STRAIGHT-LINE SANDER



6671

INDEX NO.	DESCRIPTION	REQ'D NO.	INDEX NO.	DESCRIPTION	REQ'D NO.
01	Screw	6	21	Handle	1
02	Front Cap	1	22	Screw	2
03	Piston	2	23	Trigger	1
04	Plug	4	24	Pin	1
05	Piston Ring	4	25	Screw	4
06	Front Gasket	1	26	Hex. Nut	2
07	Body	1	27	Washer	2
08	Knob	1	28	Carrier	1
09	Wear Plate	4	29	Pad Assembly	1
10	Screw	8	30	Side Strap	2
11	Bearing	4	31	Screw	12
12	Gear	2	32	Rear Gasket	1
13	Gear Shaft	2	33	Rear Cap	1
14	Plunger	1	34	Bushing	1
15	O-Ring	1	36	Valve Pin	1
16	Adjusting Shaft	1	37	O-Ring	1
17	Actuator Valve	1	38	Valve Spring	1
18	Actuator Gear	1	39	Valve Plug	1
19	Washer	1	40	Screw	2
20	Screw	1	41	Hose Adapter	1

0000.00.00

2004.06.10 2014.05.16