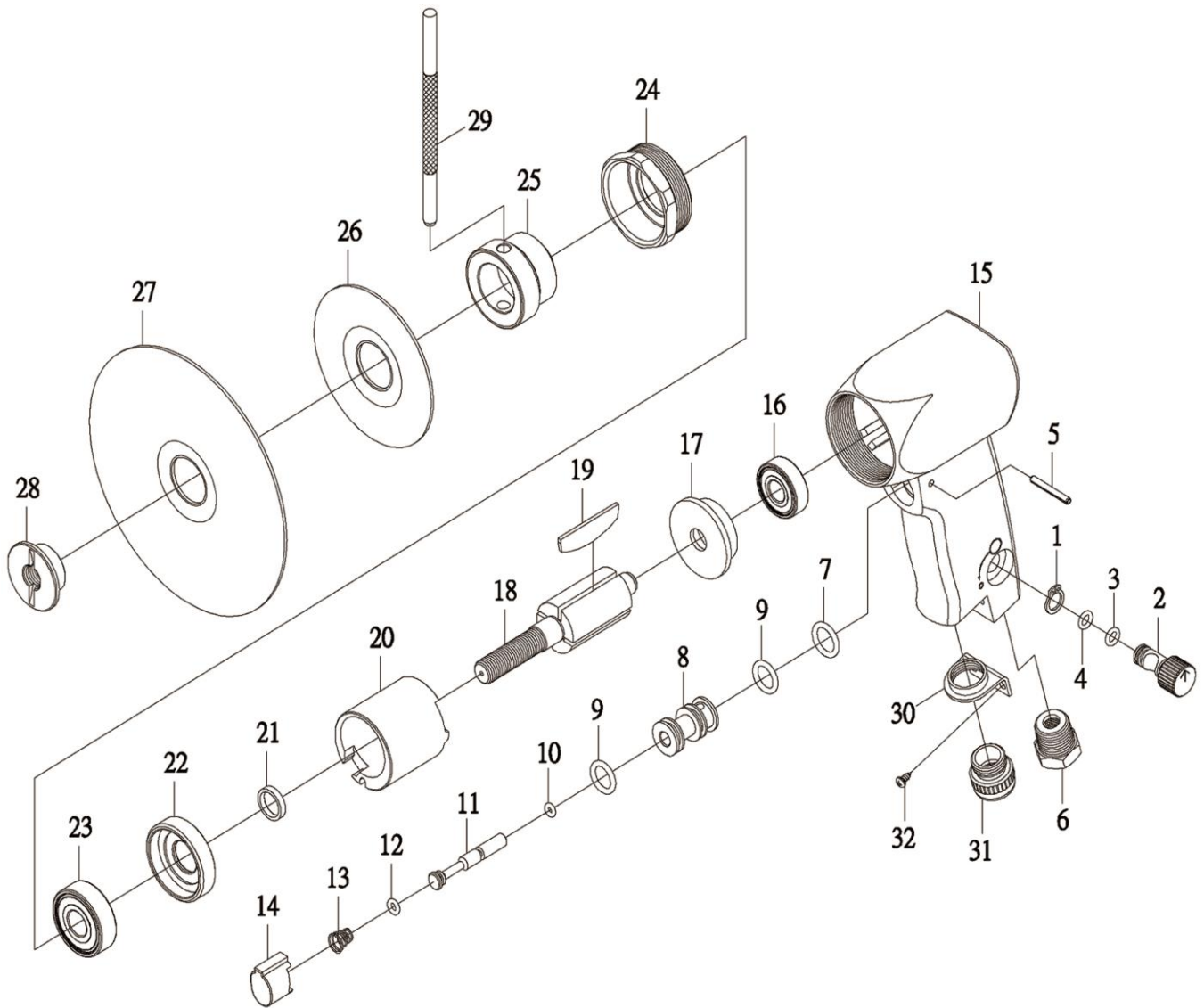


HEAVY DUTY AIR HIGH SPEED SANDER



6701-HE

| INDEX NO. | DESCRIPTION | REQ'D NO. | INDEX NO. | DESCRIPTION | REQ'D NO. |
|-----------|---------------|-----------|-----------|-------------------|-----------|
| 01 | Ring | 1 | 17 | Rear End Plate | 1 |
| 02 | Regulator | 1 | 18 | Rotor | 1 |
| 03 | O-Ring | 1 | 19 | Rotor Blade | 4 |
| 04 | O-Ring | 1 | 20 | Cylinder | 1 |
| 05 | Pin | 1 | 21 | Spacer | 1 |
| 06 | Inlet Bushing | 1 | 22 | Front End Plate | 1 |
| 07 | O-Ring | 1 | 23 | Ball Bearing | 1 |
| 08 | Valve Body | 1 | 24 | Housing Lock Ring | 1 |
| 09 | O-Ring | 2 | 25 | Sanding Adapter | 1 |
| 10 | O-Ring | 1 | 26 | 3" Backing Pad | 1 |
| 11 | Valve Stem | 1 | 27 | 5" Backing Pad | 1 |
| 12 | O-Ring | 1 | 28 | Adapter Lock Down | 1 |
| 13 | Spring | 1 | 29 | Holding Tool | 1 |
| 14 | Trigger | 1 | 30 | Bracket | 1 |
| 15 | Housing | 1 | 31 | Muffler | 1 |
| 16 | Ball Bearing | 1 | 32 | Screw | 2 |

0000.00.00

2004.06.10 2010.09.14