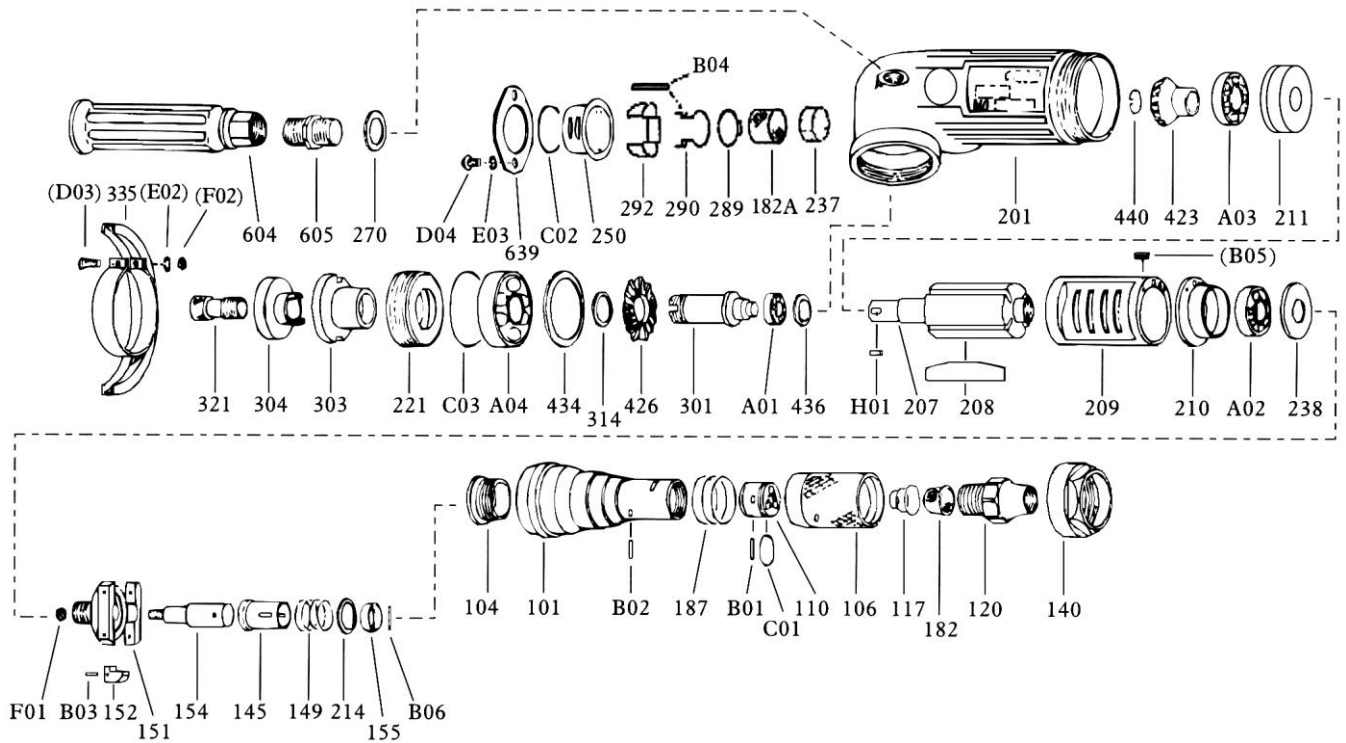


# 7" SUPER DUTY AIR ANGLE GRINDER



6709

INDEX NO.	DESCRIPTION	REQ'D NO.	INDEX NO.	DESCRIPTION	REQ'D NO.
101	Housing Cover	1	211	Cylinder Lower Plate	1
104	Bushing	1	214	Adjusting Washer(T=0.2)	1
106	Throttle Valve Handle	1		Adjusting Washer(T=0.3)	1
110	Throttle Valve	1		Adjusting Washer(T=0.5)	1
117	Throttle Valve Spring	1	221	Spindle Bearing Cover	1
120	Throttle Valve Cover(PT)	1	238	Bearing Cover(B)	1
	Throttle Valve Cover(NPT)		270	Conical Spring Washer	1
140	Cup Nut	1	301	Wheel Spindle	1
182	Strainer	1	303	Wheel Flange(A)	1
187	Throttle Valve Handle Spring	1	304	Wheel Flange(B)	1
B01	Needle Roller	1	314	Wheel Spindle Washer(T=0.5)	1
B02	Needle Roller	1		Wheel Spindle Washer(T=0.3)	1
C01	O-Ring	1		Wheel Spindle Washer(T=0.2)	1
151	Governor Cage	1	321	Detent Bolt	1
152	Governor Weight	2	335	Wheel Guard	1
154	Governor Shaft	1	D03	Hexagon Bolt	1
B03	Governor Pin	2	E02	Spring Washer	1
F01	Nut	2	F02	Nut	1
182A	Strainer	1	423	Bevel Pinion	1
237	Muffler Pad	1	426	Bevel Gear	1
250	Exhaust Cover	1	434	Bearing Washer	1
289	Muffler Plate	1	436	Bearing Holder	1
290	Muffler Spring	1	440	Ring	1
292	Muffler Plate Holder	1	604	Dead Handle	1
B04	Spring Pin	1	605	Dead Handle Joint	1
C02	O-Ring	1	639	Exhaust Cover Holder	1
145	Governor Valve	1	A01	Ball Bearing	1
149	Governor Valve Spring	1	A02	Ball Bearing	1
155	Governor Valve Spring Holder	1	A03	Ball Bearing	1
201	Housing	1	A04	Ball Bearing	1
207	Rotor	1	B06	Needle Roller	1
208	Rotor Blade	4	C03	O-Ring	1
209	Cylinder	1	D04	Cap Screw	2
B05	Spring Pin	1	E03	Spring Washer	2
210	Cylinder Upper Plate	1	H01	Key	1

0000.00.00

2007.03.08 2012.09.12