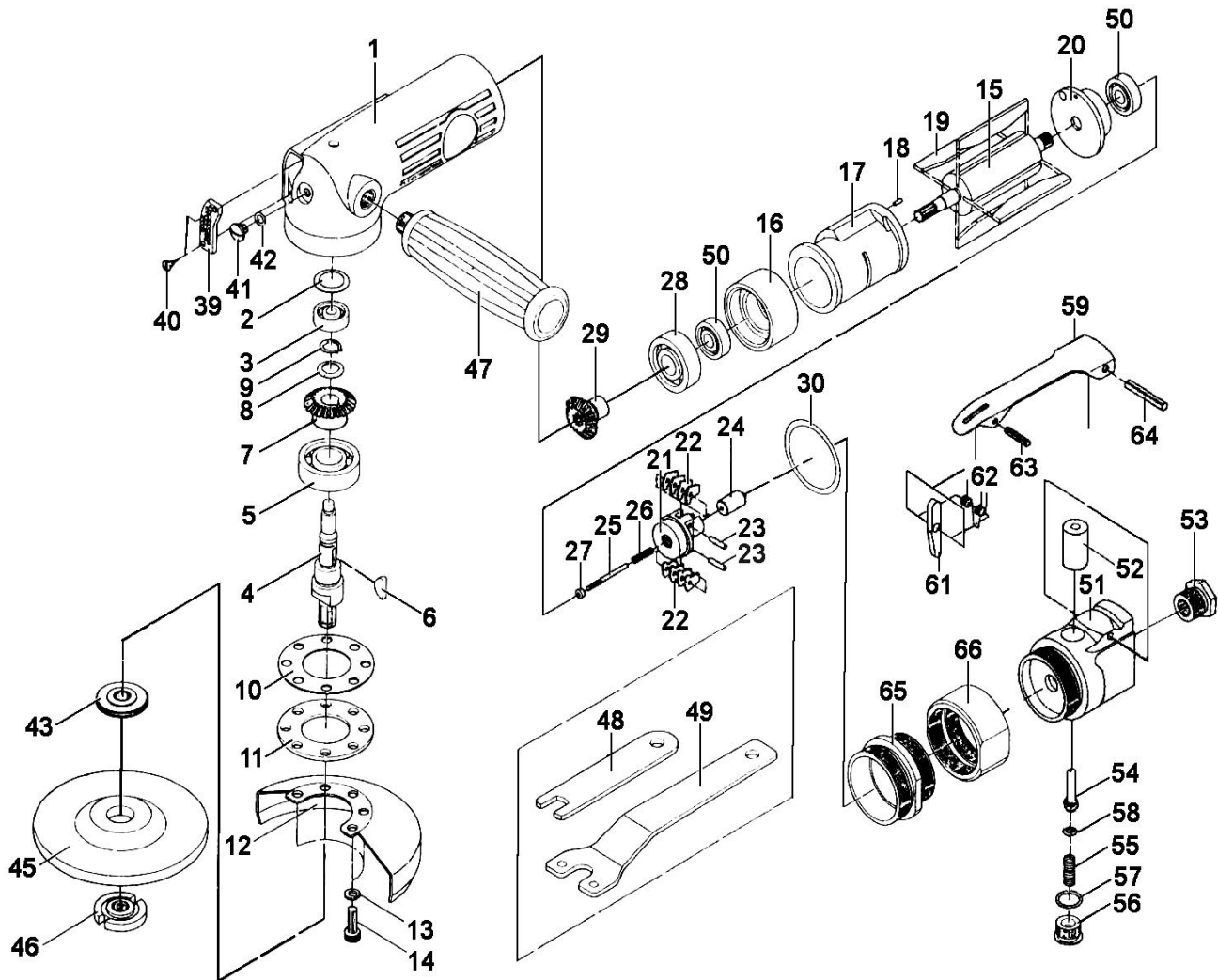


# HEAVY DUTY AIR ANGLE GRINDER



6800

INDEX NO.	DESCRIPTION	REQ'D NO.	INDEX NO.	DESCRIPTION	REQ'D NO.
01	Motor Housing	1	29	Bevel Pinion	1
02	Seal Plate	1	30	O-Ring	1
03	Ball Bearing	1	39	Exhaust Deflector	1
04	Arbor	1	40	Tapping Screw	2
05	Ball Bearing	1	41	Plug	1
06	Woodruff Key	1	42	O-Ring	1
07	Bevel Gear	1	43	Flange	1
08	Wave Washer	1	45	Grinding Wheel (4-1/2") (Option)	1
09	External Stop Ring	1	46	Flange Nut	1
10	Gasket	1	47	Handle	1
11	Retainer	1	48	Wrench (A)	1
12	Center Wheel Guard (4-1/2")	1	49	Wrench (B)	1
13	Spring Washer	5	50	Ball Bearing	2
14	Hex Socket Head Cap Bolt	5	51	Throttle Valve Housing	1
15	Rotor	1	52	Bushing	1
16	Front End Plate	1	53	Air Inlet Bushing	1
17	Cylinder	1	54	Valve Stem	1
18	Spring Pin	1	55	Valve Spring	1
19	Rotor Blade	4	56	Throttle Housing	1
20	Rear End Plate	1	57	O-Ring	1
21	Governor	1	58	O-Ring	1
22	Pendulum	8	59	Throttle Lever	1
23	Spring Pin	2	61	Throttle Lever Lock	1
24	Plunger	1	62	Torsion Spring	1
25	Adjust Screw	1	63	Spring Pin	1
26	Spring	1	64	Spring Pin	1
27	Adjust Nut	1	65	Lock Ring	1
28	Ball Bearing	1	66	Coupling	1

2010.03.10

2010.03.16